



**CUSTOMER SERVICE
SERVICIO AL CLIENTE**

USA: 1-877-617-3501

Mexico: 01 800 843 1111

www.powerstroketools.com

**OPERATOR'S MANUAL
MANUAL DEL OPERADOR**

**3000 PSI PRESSURE WASHER
LAVADORA A PRESIÓN DE 3 000 PSI**

PS80325

To register your POWERSTROKE product, please visit: <http://register.powerstroketools.com/>

Para registrar su producto de POWERSTROKE, por favor visita: <http://register.powerstroketools.com/>

NOTICE AVISO

Do not use E15 or E85 fuel in this product. It is a violation of federal law and will damage the unit and void your warranty. Only use unleaded gasoline containing up to 10% ethanol.



No utilice combustibles E15 o E85 con este producto. Esto constituye una violación a la ley federal, dañará la unidad y anulará la garantía. Use únicamente gasolina sin plomo con un contenido de hasta 10 % de etanol.

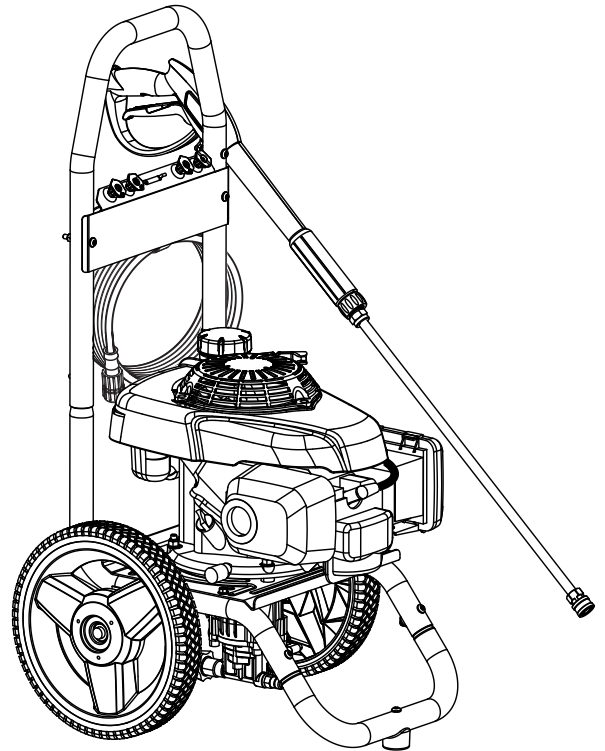


TABLE OF CONTENTS

- Important Safety Instructions..... 2
- Specific Safety Rules 3
- Symbols 4-5
- Features 6
- Assembly 7-8
- Operation 9-13
- Maintenance 13-15
- Troubleshooting 16
- Warranty 17
- Parts Ordering / Service..... Back Page

ÍNDICE DE CONTENIDO

- Instrucciones de seguridad importantes..... 2
- Reglas de seguridad específicas 3
- Símbolos 4-5
- Características 6
- Armado 7-8
- Funcionamiento..... 9-14
- Mantenimiento..... 14-16
- Corrección de problemas..... 17
- Garantía..... 18
- Pedidos de piezas / servicio Pág. posterior

⚠ WARNING: To reduce the risk of injury, the user must read and understand the operator's manual before using this product.

⚠ ADVERTENCIA: Para reducir el riesgo de lesiones, el usuario debe leer y comprender el manual del operador antes de usar este producto.

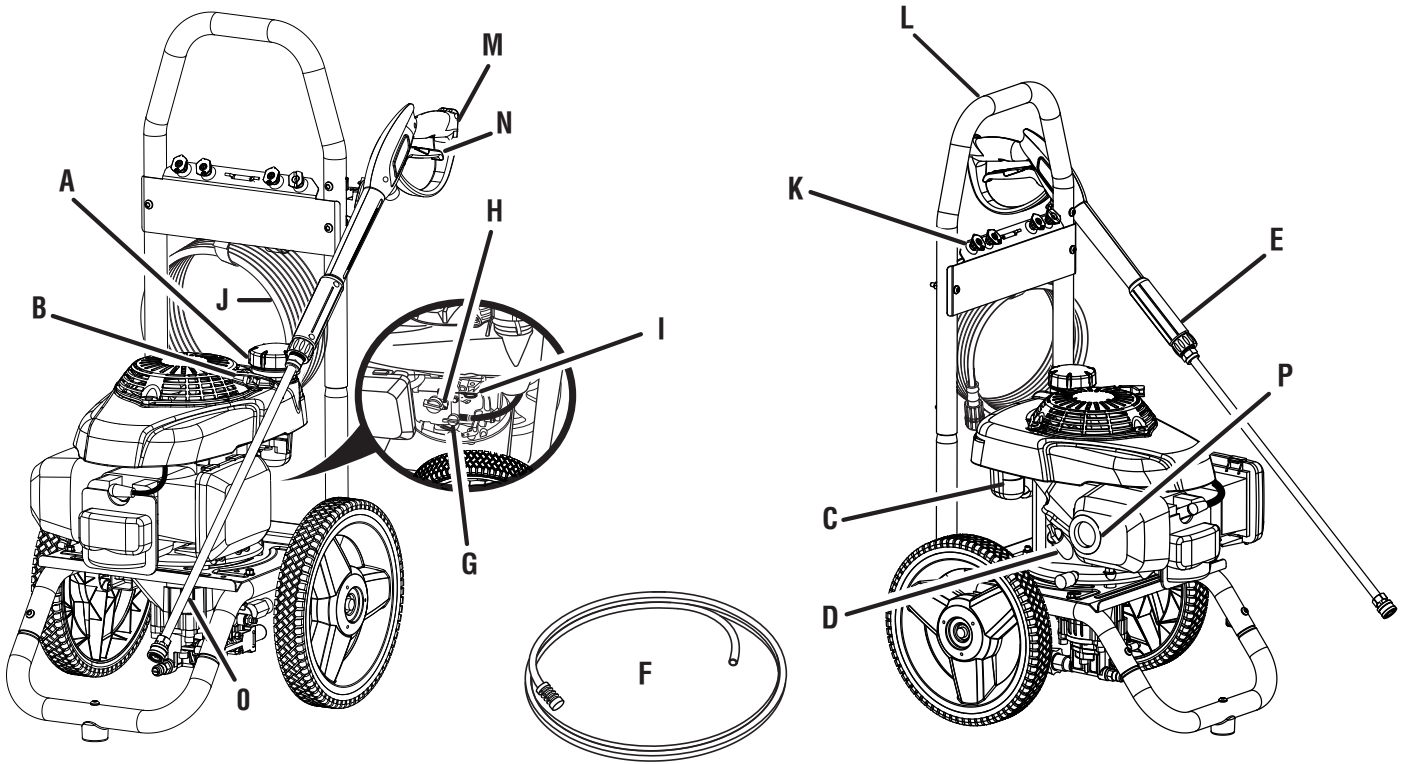
**SAVE THIS MANUAL FOR
FUTURE REFERENCE**

**GUARDE ESTE MANUAL
PARA FUTURAS CONSULTAS**

See this fold-out section for all of the figures referenced in the operator's manual.

Consulte esta sección desplegable para ver todas las figuras a las que se hace referencia en el manual del operador.

Fig. 1

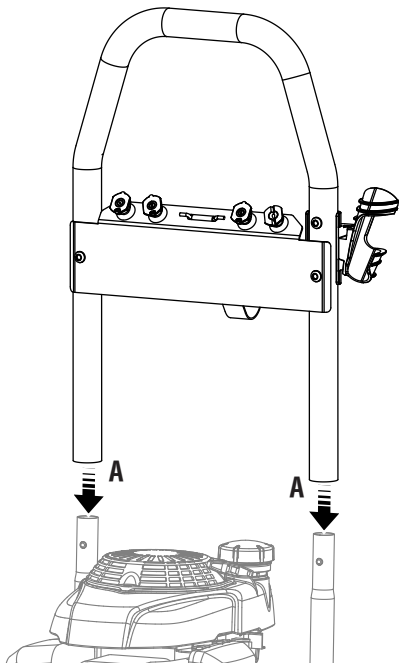


- A - Fuel cap (tapa del combustible)
- B - Starter grip and rope (mango del arrancador con cuerda)
- C - Fuel tank (tanque de combustible)
- D - Oil cap/dipstick (tapa del aceite con varilla de nivel)
- E - Gripping surface (superficie de sujeción)

- F - Soap injection hose with filter (manguera de inyección del jabón con filtro)
- G - Fuel valve (válvula de combustible)
- H - On/off switch (interruptor de encendido/apagado)
- I - Choke (anegador)
- J - High pressure hose (manguera de alta presión)

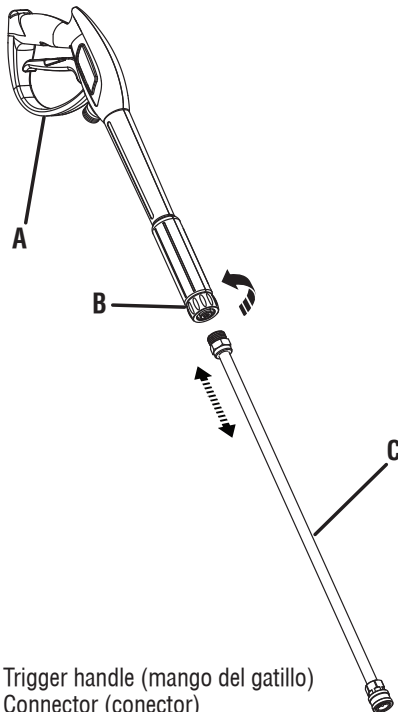
- K - Nozzle storage (boquillas y compartimientos para boquillas)
- L - Handle (mango)
- M - Trigger handle (mango del gatillo)
- N - Trigger with lock out (gatillo con seguro)
- O - Spray wand (tubo de rociado)
- P - Muffler (silenciador)

Fig. 2



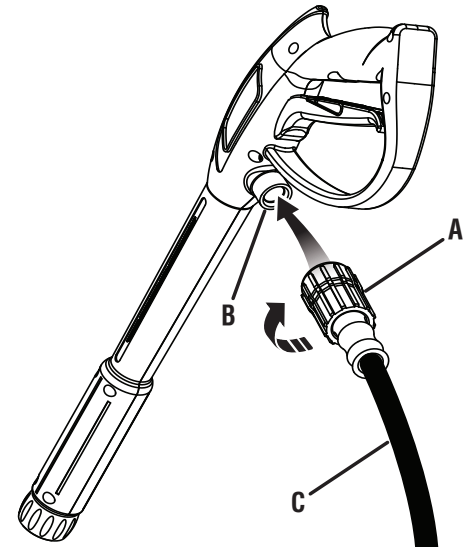
A - Push to insert (presione para insertar)

Fig. 3



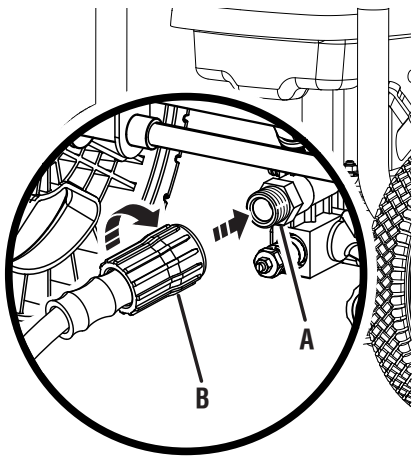
- A - Trigger handle (mango del gatillo)
- B - Connector (conector)
- C - Spray wand (tubo de rociado)

Fig. 4



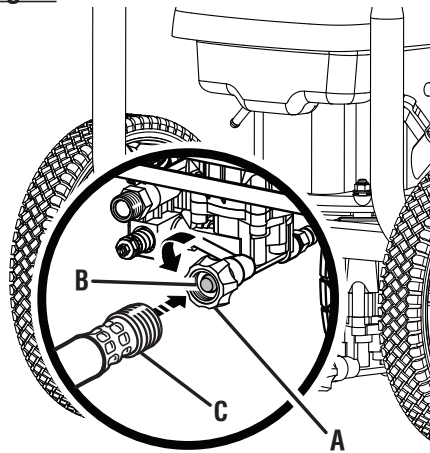
- A - Collar (casquillo)
- B - Inlet coupler (acoplador de entrada)
- C - High pressure hose (manguera de alta presión)

Fig. 5



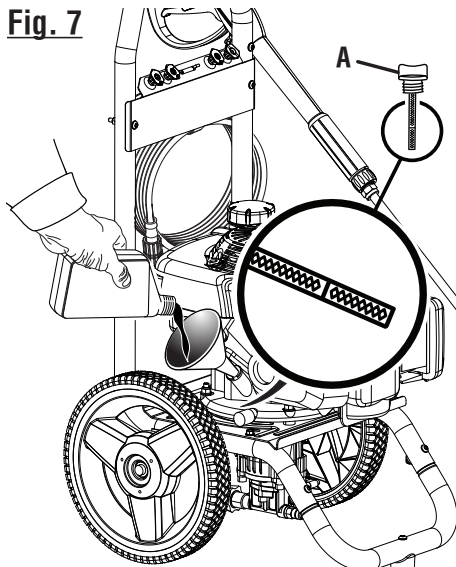
A - Threaded connection (salida con rosca)
 B - Collar (casquillo)

Fig. 6



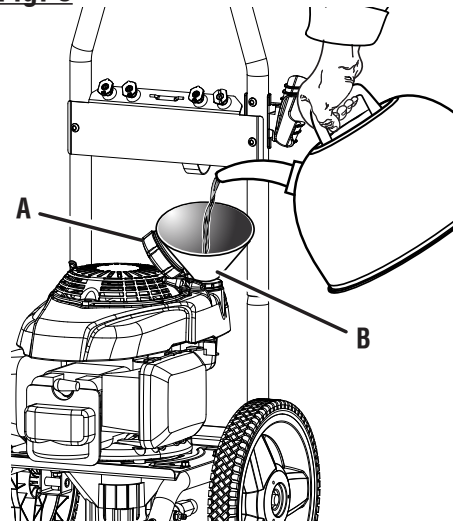
A - Water intake (entrada de agua)
 B - Screen (cedazo)
 C - Garden hose (manguera de jardín)

Fig. 7



A - Oil cap/dipstick (tapa del aceite con varilla de nivel)

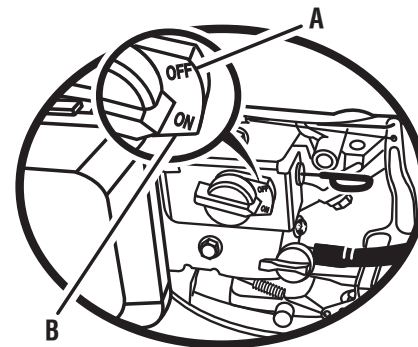
Fig. 8



A - Fuel cap (tapa del tanque de combustible)
 B - Funnel (embudo)

Fig. 9

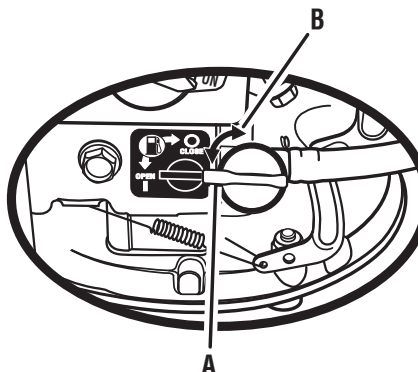
**ON/OFF SWITCH
 INTERRUPTOR DE ENCENDIDO/APAGADO**



A - OFF position [posición "OFF" (apagado)]
 B - ON position [posición "ON" (encendido)]

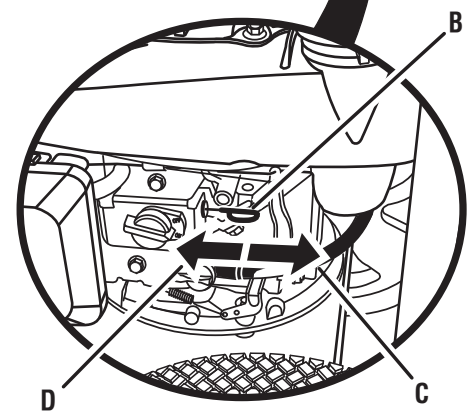
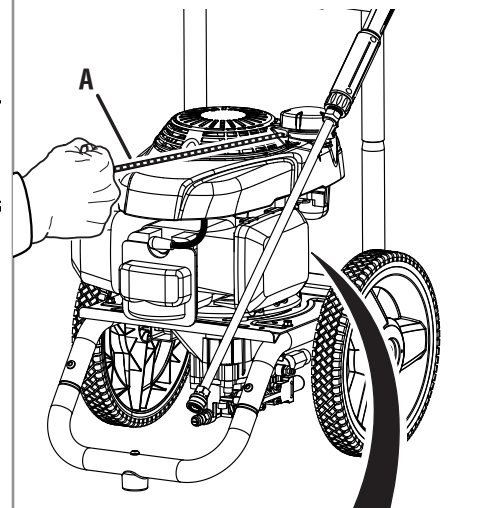
Fig. 10

**FUEL VALVE
 VÁLVULA DE COMBUSTIBLE**



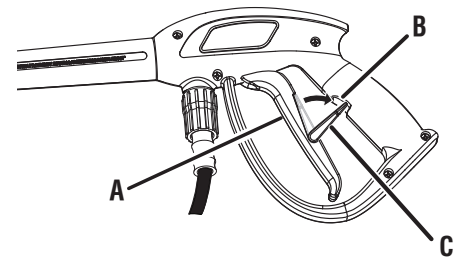
A - OPEN position (posición ABIERTO)
 B - CLOSED position (posición CERRADO)

Fig. 11



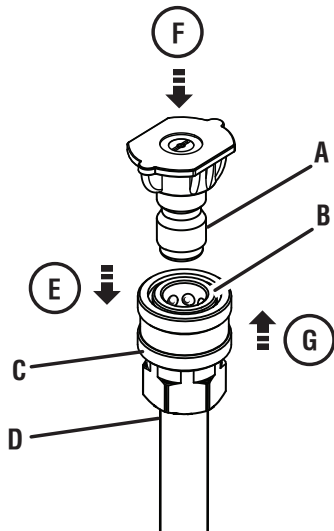
A - Starter grip and rope (mango del arrancador con cuerda)
 B - Choke (anegador)
 C - START position (posición ARRANQUE)
 D - RUN position (posición MARCHA)

Fig. 12



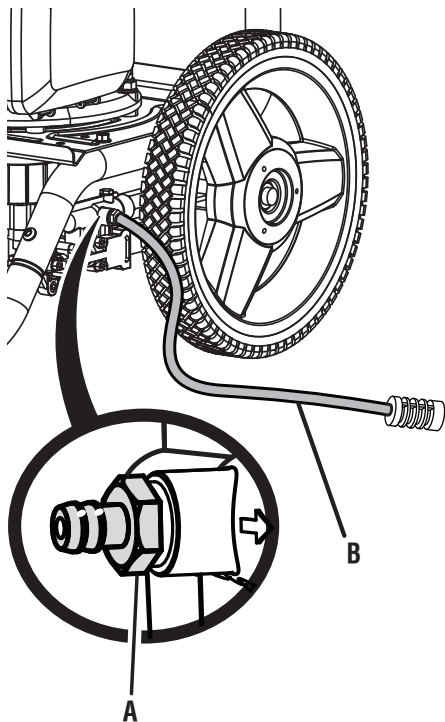
A - Trigger (gatillo)
 B - Slot (ranura)
 C - Lock out (seguro)

Fig. 13



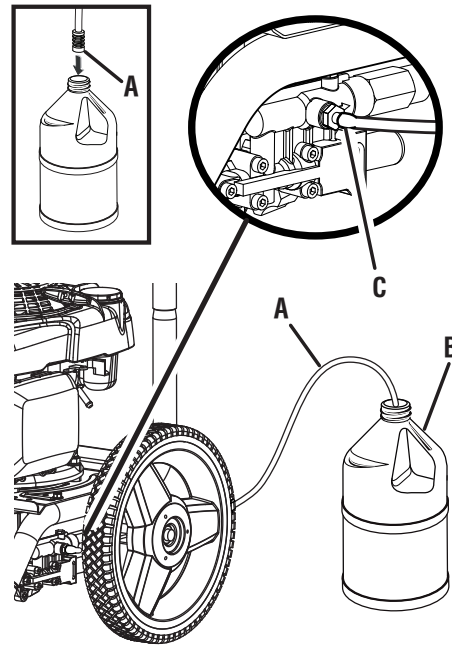
- A - Nozzle (boquilla)
- B - "Click" (hasta que trabe)
- C - Quick-connect collar (casquillo de conexión rápida)
- D - Spray wand (tubo de rociador)
- E - Pull back the quick-connect collar (tire del collar de conexión rápida)
- F - Push the nozzle into place (introduzca la boquilla en su lugar)
- G - Push the collar forward (empuje del collar adelante)

Fig. 14



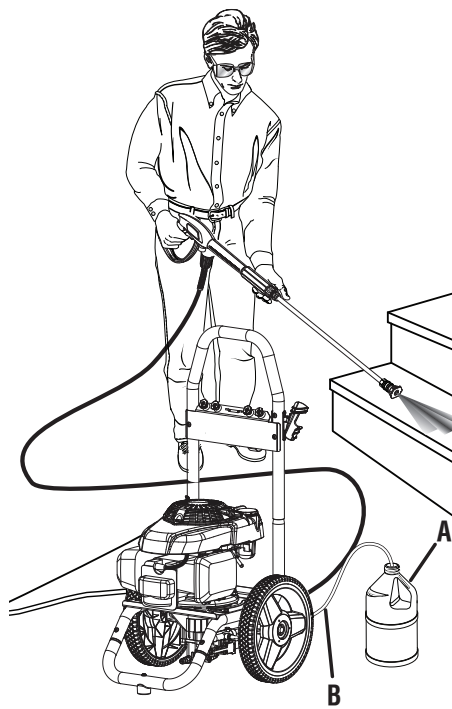
- A - Soap injection hose fitting (adaptador de la manguera de inyección del jabón)
- B - Soap injection hose (manguera de inyección del jabón)

Fig. 15



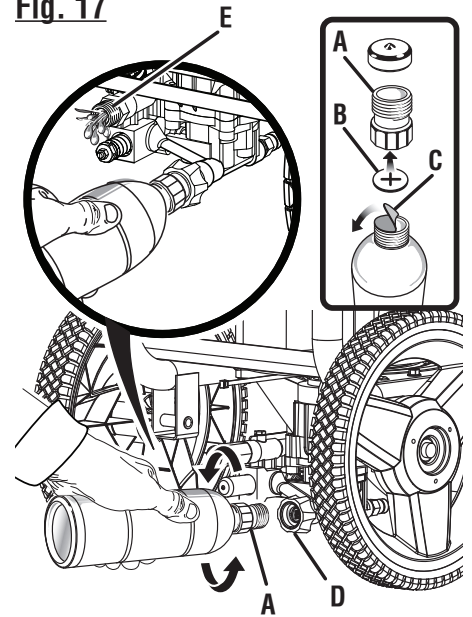
- A - Soap injection hose with filter (manguera de inyección del jabón con filtro)
- B - Soap container (recipiente del jabón)
- C - Soap injection hose fitting (adaptador de la manguera de inyección del jabón)

Fig. 16



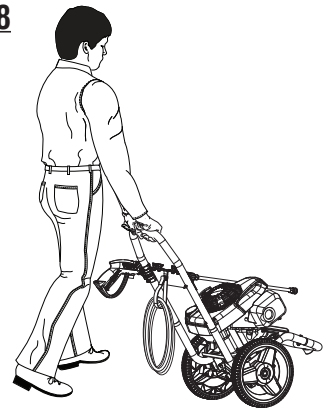
- A - Soap container (recipiente del jabón)
- B - Soap injection hose (manguera de inyección del jabón)

Fig. 17



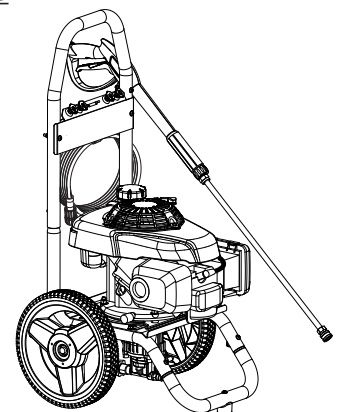
- A - Threaded top (parte superior roscada)
- B - Rubber seal (sello de goma)
- C - Paper seal (sello de papel)
- D - Water intake (entrada de agua)
- E - Pump outlet (orificio de descarga de la bomba)

Fig. 18



**TO MOVE THE MACHINE
PARA MOVER LA MÁQUINA**

Fig. 19



**TO STORE THE MACHINE
PARA GUARDAR LA MÁQUINA**

IMPORTANT SAFETY INSTRUCTIONS



DANGER:

Risk of fire and serious burns: Never remove fuel cap when unit is running. Shut off engine and allow the unit to cool at least five minutes. Remove cap slowly.



WARNING:

Read and understand all instructions. Failure to follow all instructions listed below may result in electric shock, fire and/or carbon monoxide poisoning which will cause death or serious personal injury.

READ ALL INSTRUCTIONS




- **Know your tool.** Read the operator's manual carefully. Learn the machine's applications and limitations as well as the specific potential hazards related to this tool.
- **Keep guards in place** and in working order. Never operate the tool with any guard or cover removed. Make sure all guards are operating properly before each use.
- **Remove adjusting keys and wrenches.** Form habit of checking to see that keys and adjusting wrenches are removed from tool before turning it on.
- **To reduce the risk of injury,** keep children and visitors away. All visitors should wear safety glasses and be kept a safe distance from work area.
- **Keep the area of operation clear of all persons,** particularly small children, and pets.
- **Do not start or operate the engine in a confined space, building, near open windows, or in other unventilated space** where dangerous carbon monoxide fumes can collect. Carbon monoxide, a colorless, odorless, and extremely dangerous gas, can cause unconsciousness or death.
- **Use right tool.** Don't force tool or attachment to do a job it was not designed for. Don't use it for a purpose not intended.
- **Dress properly.** Wear long pants and long sleeves. Do not wear loose clothing, gloves, neckties, or jewelry. They can get caught and draw you into moving parts. Rubber gloves and nonskid footwear are recommended when working outdoors. Also wear protective hair covering to contain long hair.
- **Do not operate the equipment while barefoot or when wearing sandals or similar lightweight footwear.** Wear protective footwear that will protect your feet and improve your footing on slippery surfaces.
- **Exercise caution to avoid slipping or falling.**
- **Always wear eye protection with side shields marked to comply with ANSI Z87.1.** Following this rule will reduce the risk of serious personal injury.
- **Don't overreach or stand on a ladder, rooftop, or other unstable support.** Keep proper footing and balance at all times.
- **Use only recommended accessories.** The use of improper accessories may cause risk of injury.
- **Follow the maintenance instructions specified in this manual.**
- **Check damaged parts.** Before further use of the tool, a guard or other part that is damaged should be carefully checked to determine that it will operate properly and perform its intended function. Check for alignment of moving parts, binding of moving parts, breakage of parts, mounting, and any other conditions that may affect its operation. A guard or other part that is damaged must be properly repaired or replaced by a qualified service center to avoid risk of personal injury.
- **Never leave tool running unattended. Turn power off.** Don't leave tool until it comes to a complete stop.
- **Keep the engine free of grass, leaves, or grease** to reduce the chance of a fire hazard.
- **Keep the exhaust pipe free of foreign objects.**
- **Follow manufacturer's recommendations for safeloading, unloading, transport, and storage of machine.**
- **Be thoroughly familiar with controls.** Know how to stop the product and bleed pressure quickly.
- **Keep tool dry, clean, and free from oil and grease.** Always use a clean cloth when cleaning. Never use brake fluids, gasoline, petroleum-based products, or any solvents to clean tool.
- **Stay alert and exercise control.** Watch what you are doing and use common sense. Do not operate tool when you are tired. Do not rush.
- **Do not operate the product while under the influence of drugs, alcohol, or any medication.**
- **Check the work area before each use.** Remove all objects such as rocks, broken glass, nails, wire, or string which can be thrown or become entangled in the machine.
- **Do not use tool if switch does not turn it off.** Have switches replaced by a qualified service center.
- **Before cleaning, repairing, or inspecting,** shut off the engine and make certain all moving parts have stopped. Disconnect the spark plug wire, and keep the wire away from the plug to prevent accidental starting.
- **Avoid dangerous environment.** Don't use in damp or wet locations or expose to rain. Keep work area well lit.
- **Never use in an explosive atmosphere.** Normal sparking of the motor could ignite fumes.
- **Do not operate while smoking or near an open flame.**
- **Do not operate around** dry brush, twigs, cloth rags, or other flammable materials.
- **WARNING: Risk of injection or injury** – Do not direct discharge stream at persons.

SPECIFIC SAFETY RULES









- **Use caution when positioning the pressure washer for use.** Warm air from the engine could cause discolored spots on grass.
- **Never direct a water stream toward people or pets, or any electrical device.**
- **Before starting any cleaning operation,** close doors and windows. Clear the area to be cleaned of debris, toys, outdoor furniture, or other objects that could create a hazard.
- **Never pick up or carry a machine while the engine is running.**
- **Never start the machine** if ice has formed in any part of the equipment.
- **Do not use acids, alkalines, solvents, flammable material, bleaches, or industrial grade solutions** in this product. These products can cause physical injuries to the operator and irreversible damage to the machine.
- **Always operate the machine** on a level surface. If the engine is on an incline, it could seize due to improper lubrication (even at the maximum lubricant level).
- **WARNING: High pressure jets can be dangerous if subject to misuse.** The jet must not be directed at persons, animals, electrical devices, or the machine itself.
- **Hold the trigger handle securely with both hands.** Expect the trigger handle to move when the trigger is pulled due to reaction forces. Failure to do so could cause loss of control and injury to yourself and others.
- **Never attempt to make any adjustments while the engine (motor) is running** (except where specifically recommended by the manufacturer).
- **Protective covers must always cover rotating parts when the engine is running.**
- **Keep cooling air intake** (starter grip and rope area) and muffler side of the engine at least 3 feet away from buildings, obstructions, and other combustible objects.
- **Keep the engine away from flammables and other hazardous materials.**
- **Keep away from hot parts.** The muffler and other engine parts become very hot; use caution.
- **Do not touch the spark plug and ignition cable** when starting and operating the engine.
- **Check fuel hoses and joints** for looseness and fuel leakage before each use.
- **Check bolts and nuts** for looseness before each use. A loose bolt or nut may cause serious engine problems.
- **Always refuel outdoors.** Never refuel indoors or in a poorly ventilated area.
- **Never store the machine with fuel in the fuel tank inside a building** where ignition sources are present, such as hot water and space heaters, clothes dryers, and the like.
- **If the fuel tank has to be drained, do this outdoors into a container approved for gasoline and away from all ignition sources.**
- **To reduce the risk of fire and burn injury,** handle fuel with care. It is highly flammable.
- **Do not smoke while handling fuel.**
- **Add fuel before starting the engine.** Never remove the cap of the fuel tank or add fuel while the engine is running or when the engine is hot.
- **Loosen fuel cap slowly** to release pressure and to keep fuel from escaping around the cap.
- **Replace all fuel tank and container caps securely.**
- **Wipe spilled fuel from the unit.** Move 30 feet away from refueling site before starting engine.
- **If fuel is spilled,** do not attempt to start the engine but move the machine away from the area of spillage and avoid creating any source of ignition until fuel vapors have dissipated.
- **Never attempt to burn off spilled fuel under any circumstances.**
- **Before storing, allow the pressure washer to cool for 30 minutes and drain fuel from the unit.**
- **Store fuel in a cool, well-ventilated area,** safely away from spark and/or flame-producing equipment.
- **Store fuel in containers** specifically designed for this purpose.
- **Empty fuel tank and restrain the unit from moving** before transporting in a vehicle.
- **When servicing use only recommended or equivalent replacement parts.** Use of any other parts may create a hazard or cause product damage.
- **ONLY use cold water.**
- **Make sure minimum clearance** of 3 feet is maintained from combustible materials.
- **Never spray close to the surface** to be cleaned as you can damage the surface.
- **After stopping the engine, always pull the trigger on the trigger handle to relieve stored pressure in the high pressure hose.** Failure to do so could result in serious personal injury.
- **Ensure the high pressure hose is properly connected before using the product.**
- **For outdoor use only.**
- **Save these instructions.** Refer to them frequently and use them to instruct other users. If you loan someone this tool, loan them these instructions also.

SYMBOLS

The following signal words and meanings are intended to explain the levels of risk associated with this product.





SYMBOL	SIGNAL	MEANING
	DANGER:	Indicates an imminently hazardous situation, which, if not avoided, will result in death or serious injury.
	WARNING:	Indicates a potentially hazardous situation, which, if not avoided, could result in death or serious injury.
	CAUTION:	Indicates a potentially hazardous situation, which, if not avoided, may result in minor or moderate injury.
	NOTICE:	(Without Safety Alert Symbol) Indicates important information not related to an injury hazard, such as a situation that may result in property damage.

Some of the following symbols may be used on this product. Please study them and learn their meaning for safe operation of this product.

SYMBOL	NAME	EXPLANATION
	Safety Alert	Indicates a potential personal injury hazard.
	Read Operator's Manual	To reduce the risk of injury, user must read and understand operator's manual before using this product.
	Eye Protection	Always wear eye protection with side shields marked to comply with ANSI Z87.1.
	Wet Conditions Alert	Do not expose to rain or use in damp locations.
	Hot Surface	To reduce the risk of injury or damage, avoid contact with any hot surface.
	Risk of Injections	To reduce the risk of injection or injury, never direct a water stream towards people or pets or place any body part in the stream. Leaking hoses and fittings are also capable of causing injection injury. Do not hold hoses or fittings.
	Risk of Explosion	Do not spray flammable liquids. Flammable liquids, fuel, and their vapors are explosive and can cause severe burns or death.
	Risk of Fire	Fuel and its vapors are extremely flammable and explosive. Fire can cause severe burns or death.

SYMBOLS

Some of the following symbols may be used on this product. Please study them and learn their meaning for safe operation of this product.

SYMBOL	NAME	EXPLANATION
	Toxic Fumes	Gas products emit carbon monoxide, an odorless, colorless, poison gas. Breathing carbon monoxide can cause nausea, fainting, or death.
	Kickback	To reduce the risk of injury from kickback, hold the spray wand securely with both hands when the machine is on.
	Electric Shock	Failure to use in dry conditions and to observe safe practices can result in electric shock.
	Chemical Burns	To reduce the risk of injury or damage, DO NOT USE ACIDS, ALKALINES, BLEACHES, SOLVENTS, FLAMMABLE MATERIAL, OR INDUSTRIAL GRADE SOLUTIONS in this product.

FEATURES

PRODUCT SPECIFICATIONS

Engine.....	GCV 190
Fuel Tank Capacity	0.25 gal.
Maximum Pounds Per Square Inch Pressure*	3,000 psi
Maximum Gallons Per Minute*	2.5 gpm
Maximum Inlet Water Temperature	104°F

*Max rating determined by PWMA Standard 101

KNOW YOUR PRESSURE WASHER

See Figure 1.

The safe use of this product requires an understanding of the information on the tool and in this operator's manual as well as a knowledge of the project you are attempting. Before use of this product, familiarize yourself with all operating features and safety rules.

AUTOMATIC SOAP INJECTION SYSTEM

Place the soap injection hose with filter into your desired pressure washer detergent to apply detergent quickly and easily to your cleaning project. Use of the soap nozzle will activate the soap injector at a 20:1 dilution ratio.

FUEL TANK

This fuel tank has a maximum capacity of 0.25 gal. Use unleaded automotive gasoline in the engine.

HOSE STORAGE

Once the high pressure hose is rolled, hang it on the back of the machine using the stretch strap to secure in place.

ON/OFF SWITCH

The on/off switch is used in combination with the starter grip and rope to start the engine. It is also used to turn the engine off.

STARTER GRIP AND ROPE

The starter grip and rope is pulled to start the machine.

THERMAL RELIEF VALVE

This pump feature will prevent water temperatures from reaching harmful levels by releasing a small amount of water. Once the water has drained, the thermal relief valve will reset itself.

TRIGGER HANDLE

The trigger handle has a gripping surface that provides added control of the spray wand and helps reduce fatigue.

TRIGGER WITH LOCK OUT

Pulling the trigger releases a stream of water for high pressure cleaning. The lock out provides protection against unauthorized use.

ASSEMBLY

UNPACKING

This product requires assembly.

- Carefully remove the product and any accessories from the box. Make sure that all items listed in the packing list are included.

NOTE: This tool is heavy. To avoid back injury, lift with your legs, not your back, and get help when needed.

WARNING:

Do not use this product if any parts on the Packing List are already assembled to your product when you unpack it. Parts on this list are not assembled to the product by the manufacturer and require customer installation. Use of a product that may have been improperly assembled could result in serious personal injury.

- Inspect the tool carefully to make sure no breakage or damage occurred during shipping.
- Do not discard the packing material until you have carefully inspected and satisfactorily operated the tool.
- If any parts are damaged or missing, please call 1-877-617-3501 for assistance.

PACKING LIST

Pressure Washer

25 ft. High Pressure Hose

Detergent Injection Hose with filter

Trigger Handle

Spray Wand

Quick-Connect Nozzles (4)

4-Cycle Engine Lubricant (SAE 30 or SAE 10W30)

Disposable Funnel

Handle

Operator's Manual

WARNING:

If any parts are damaged or missing do not operate this tool until the parts are replaced. Use of this product with damaged or missing parts could result in serious personal injury.

WARNING:

Do not attempt to modify this tool or create accessories not recommended for use with this tool. Any such alteration or modification is misuse and could result in a hazardous condition leading to possible serious personal injury.

WARNING:

To prevent accidental starting that could cause serious personal injury, always disconnect the engine spark plug wire from the spark plug when assembling parts.

INSTALLING THE HANDLE

See Figure 2.

CAUTION:

Be careful to avoid pinching your fingers or hands when installing the handle onto the frame.

Push and hold the button on the handle as you slide the handle into the holes in the frame.

NOTE: Before use, pull the handle up until the lock button snaps through the locking slot to secure the handle in place.

CONNECTING THE SPRAY WAND TO THE TRIGGER HANDLE

See Figure 3.

- Place the threaded end of the spray wand in the connector on the end of the trigger handle.
- Turn the connector clockwise until it stops. This secures the spray wand in place.

CONNECTING HIGH PRESSURE HOSE TO TRIGGER HANDLE

See Figure 4.

- Screw the collar on the high pressure hose into the trigger handle inlet coupler by turning the hose collar clockwise. Tighten securely.
NOTE: Be careful to avoid cross-threading, which can cause the trigger handle to leak during use.
- Pull on the hose to be certain it is properly secured.

CONNECTING THE HIGH PRESSURE HOSE TO THE PUMP

See Figure 5.

- Completely uncoil and straighten the high pressure hose to prevent kinks.
NOTE: See **Using the High Pressure Hose in Operation** for more information about using the high pressure hose.
- Align the collar on the hose to the threaded outlet on the pump.
- Insert the high pressure hose collar onto the threaded outlet.
- Turn the collar clockwise to tighten the hose securely to the pump.
NOTE: Be careful to avoid cross-threading, which can cause the hose to leak during use.
- Pull on the hose to be certain it is properly secured.

ASSEMBLY

CONNECTING THE GARDEN HOSE TO THE PRESSURE WASHER

See Figure 6.

NOTICE:

Always observe all local regulations when connecting hoses to the water main. Some areas have restrictions against connecting directly to public drinking water supply to prevent the feedback of chemicals into the drinking water supply. Direct connection through a receiver tank or backflow preventer is usually permitted.

The water supply must come from a water main. NEVER use hot water or water from pools, lakes, etc. Before connecting the garden hose to the pressure washer:

- Run water through the hose for 30 seconds to clean any debris from the hose.
- Inspect the screen in the water intake.
- If the screen is damaged, do not use the machine until the screen has been replaced.
- If the screen is dirty, clean it before connecting the garden hose to the machine.

To connect the garden hose to the machine:

- Completely uncoil the garden hose or remove completely from reel to prevent kinks.

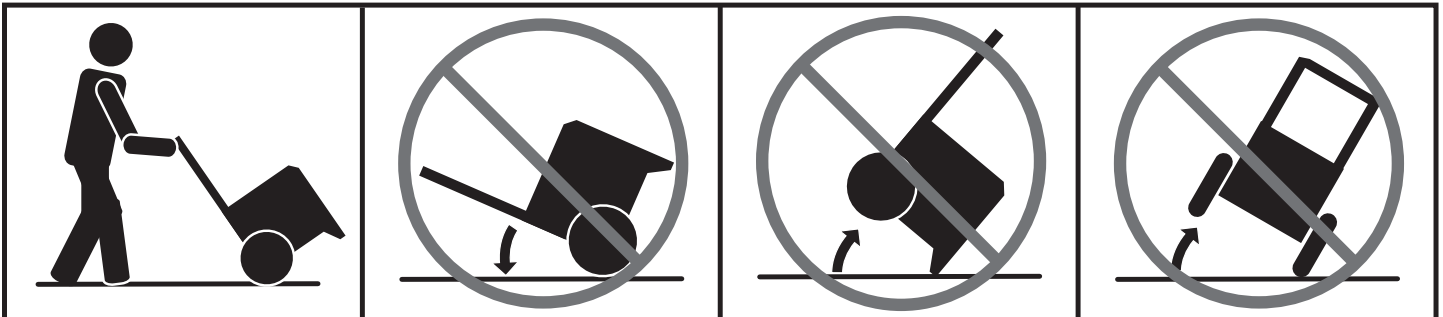
NOTE: There must be a minimum of 10 feet of unrestricted hose between the pressure washer intake and the hose faucet or shut off valve (such as a “Y” shut off connector).

- With the hose faucet turned completely off, attach the end of the garden hose to the water intake. Tighten by hand.

NOTICE:

Do not run the pressure washer without water supply connected and turned on, as this may damage the high pressure seals and decrease pump life. Completely unwind the hose from its reel or coil and make sure the hose is not being restricted by tires, rocks, or any other objects that may lessen or prevent water flow to the pressure washer.

DO NOT OVERTILT THE UNIT!



OPERATION

WARNING:

Do not allow familiarity with tools to make you careless. Remember that a careless fraction of a second is sufficient to inflict serious injury.

WARNING:

Always wear eye protection with side shields marked to comply with ANSI Z87.1. Failure to do so could result in objects being thrown into your eyes resulting in possible serious injury.

WARNING:

Do not use any attachments or accessories not recommended by the manufacturer of this tool. The use of attachments or accessories not recommended can result in serious personal injury.

WARNING:

Never direct a water stream toward people or pets, or any electrical device. Failure to follow these instructions could result in serious injury, electric shock and death.

NOTICE:

This product is not equipped with a spark arrestor and cannot be used on U.S. forest lands; in addition, product users must comply with Federal, State, and local fire prevention regulations. Check with appropriate authorities. Refer to accompanying engine manual for maintenance and replacement parts.

NOTICE:

Before each use, inspect the entire product for damaged, missing, or loose parts such as screws, nuts, bolts, caps, etc. Tighten securely all fasteners and caps and do not operate this product until all missing or damaged parts are replaced. Please contact customer service or a qualified service center for assistance.

APPLICATIONS

You may use this tool around the house for cleaning most small to large horizontal or vertical exterior surfaces, smaller exterior objects and structures, and outdoor equipment and tools.* You can:

- Clean or remove mold and mildew from weathered decks, driveways, patios, walkways, sidewalks, etc.
- Remove dirt from various exterior vertical surfaces such as house exteriors, siding, fences, brick, concrete or stone walls, etc.

- Wash boats, outdoor furniture, powered or non-powered garden equipment, gutters, window screens, grills, playground equipment, etc.

**Always test in an inconspicuous area first.*

ADDING/CHECKING ENGINE LUBRICANT

See Figure 7.

NOTE: This machine has been shipped with approximately 2 oz. of lubricant in the engine from testing. **You must add lubricant to the engine before starting it the first time.**

NOTICE:

Any attempt to start the engine without adding lubricant will result in engine failure.

To add engine lubricant:

- Place pressure washer on a flat, level surface. Do not tilt.
- Unscrew the oil cap/dipstick by turning counter clockwise.

- Before first use, squeeze the entire contents of the lubricant container provided into the lubricant reservoir.

After initial use, add 4-stroke engine lubricant (SAE 30 or SAE 10W30) until the fluid level rises to the upper portion of the hatched area on the dipstick. **Do not overfill.**

- Replace the oil cap/dipstick and securely tighten.

To check engine lubricant level:

- Place pressure washer on a flat, level surface. Do not tilt.
- Unscrew the oil cap/dipstick by turning counter-clockwise.

- Wipe dipstick clean and re-seat in hole; do not rethread.
- Remove dipstick again and check lubricant level. Lubricant level should fall within the hatched area on the dipstick.

- If level is low, add engine lubricant until the fluid level rises to the upper portion of the hatched area on the dipstick.

- Replace and secure the oil cap/dipstick.

NOTICE:

Do not overfill. Overfilling the crankcase may cause excessive smoke and engine damage.

OXYGENATED FUELS

NOTICE:

Do not use E15 or E85 fuel in this product. It is a violation of federal law and will damage the unit and void your warranty. Only use unleaded gasoline containing up to 10% ethanol.

Fuel system damage or performance problems resulting from the use of an oxygenated fuel containing more than the percentage of oxygenates previously stated **are not covered under warranty.**

OPERATION

ADDING GASOLINE TO THE FUEL TANK

See Figure 8.

DANGER:

Risk of fire and serious burns: Never remove fuel cap when unit is running. Shut off engine and allow the unit to cool at least five minutes. Remove cap slowly.

WARNING:

Gasoline and its vapors are highly flammable and explosive. To prevent serious personal injury and property damage, handle gasoline with care. Keep away from ignition sources, handle outdoors only, do not smoke while adding fuel, and wipe up spills immediately.

WARNING:

Always shut off engine before fueling. Never remove fuel cap or add fuel to a machine with a running or hot engine. Make sure the unit is sitting on a flat, level surface and only add fuel outdoors. If the engine is hot, let the unit cool for at least five minutes before adding fuel. After fueling, immediately replace fuel cap and tighten securely. Move at least 30 ft. from refueling site before starting engine. Do not smoke and stay away from open flames and sparks! Failure to follow these instructions could result in a fire and cause serious personal injury.

WARNING:

Check for fuel leaks. A leaking fuel cap, tank, or line is a fire hazard and must be replaced immediately. If you find any leaks, correct the problem before using the product. Failure to do so could result in a fire that could cause serious personal injury.

NOTE: This is a 4-cycle engine. DO NOT mix fuel and lubricant together.

- Mix fuel stabilizer with gasoline according to fuel stabilizer manufacturer's directions.
- Before removing the fuel cap, clean the area around it. Remove the fuel cap.
- Insert a clean funnel into the fuel tank then slowly pour gasoline into the tank. Fill tank to approximately 1-1/2 in. below the top of the tank neck (this allows for fuel expansion).
- Replace fuel cap and tighten until the cap "clicks".
- Clean up any spills before starting the engine.

STARTING AND STOPPING THE PRESSURE WASHER

See Figures 9 - 11.

NOTICE:

Do not run the pressure washer without water supply connected and turned on, as this may damage the high pressure seals and decrease pump life. Completely unwind the hose from its reel or coil and make sure the hose is not being restricted by tires, rocks, or any other objects that may lessen or prevent water flow to the pressure washer.

Before starting the engine:

- Connect all hoses.
NOTE: Make sure the pressure washer's water intake screen is in place and unclogged before connecting garden hose.
- Check all fluids (lubricant and gas).
- Turn on the garden hose then squeeze the trigger to relieve air pressure; hold the trigger until a steady stream of water appears.
NOTE: Make sure the faucet is turned on fully and that there are no kinks or leaks in the hose.

To start the engine:

- Turn the fuel valve to the OPEN position.
- Put the on/off switch in the **ON** position.
- Pull choke out to the START position.
NOTE: If restarting after a brief stop (i.e., after refueling or moving), leave the choke lever in the RUN position.
- Grasp the starter grip and rope and pull slowly until resistance is felt. Give the starter grip and rope a short, brisk pull to start the engine.
NOTE: Do not allow the starter grip and rope to snap back after starting; return it gently to its original place.
- Allow the engine to run for 5 seconds, then push the choke to the RUN position.

NOTICE:

Routinely make a visual inspection of the pump and engine during use. If you notice any lubricant leaking around the pump or engine seals, stop using the pressure washer immediately. Contact customer service or a qualified service center for repair. Failure to do so may cause property damage.

OPERATION

To stop the engine:

- Put the on/off switch in the **OFF** position.
- Turn the fuel valve to the **CLOSED** position.

NOTE: Shutting off the engine will not relieve pressure in the system. **Pull trigger to release water pressure.**

WARNING:

While operating and storing, keep at least 3 feet of clearance on all sides of this product, including overhead. Allow a minimum of 30 minutes of “cool down” time before storage. Keep all body parts, clothing, combustible materials, and hoses away from the muffler. Heat created by muffler and exhaust gases could be hot enough to cause serious burns, ignite combustible objects, and/or damage high pressure hoses that can result in an injection injury.

USING THE TRIGGER HANDLE

See Figure 12.

WARNING:

Hold the trigger handle securely with both hands. Expect the trigger handle to move when the trigger is pulled due to reaction forces. Failure to do so could cause loss of control and injury to yourself and others.

- Pull back and hold the trigger to operate the pressure washer.
- Release the trigger to stop the flow of water through the nozzle.

To engage the lock out:

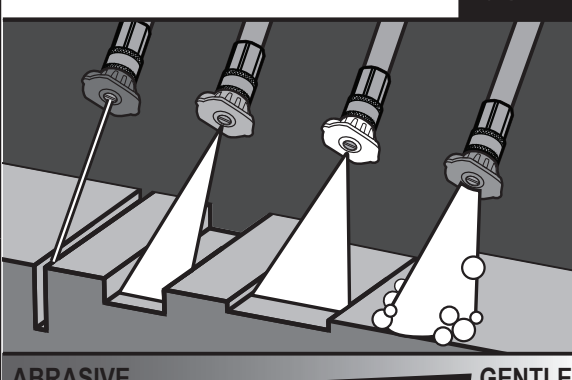





- Push up on the lock out until it clicks into the slot.

To disengage the lock out:

- Push the lock out down and into its original position.

Start with the nozzle 1-2 ft. away from the cleaning surface and carefully approach the surface just until the desired level of cleaning is achieved. If the spray is too close it can damage the cleaning surface.

NOZZLE SELECTION GUIDE

		0°	25°	40°	SOAP	HIGH PRESSURE (NO SOAP WHEN USING THESE NOZZLES)			LOW PRESSURE (FOR SOAP OR GENTLE RINSE)
		0° Red	25° Green	40° White	Blue Soap Nozzle	0° Red	25° Green	40° White	Blue Soap Nozzle
		↓	▼	▼					
Concrete, Brick, Masonry		✓	✓	✓	✓				
Siding, Gutters, House			✓	✓	✓				
Fencing, Deck, Patio			✓	✓	✓				
Lawn Equipment, Boat, RV			✓	✓	✓				
						✓ Recommended Nozzle ✓ Use With Caution for Certain Applications			

OPERATION

SELECTING THE RIGHT NOZZLE FOR THE JOB

See Figures 13.

Each of the nozzles has a different spray pattern. Before starting any cleaning job, determine the best nozzle for the job. Refer to the **Nozzle Selection Guide** for more information about which nozzle to choose.

WARNING:

NEVER remove nozzles without first turning off the engine, relieving the water pressure in the trigger handle, and locking the lock out on the trigger handle. NEVER point the nozzle at your face or at others. The quick-connect feature contains small springs that could eject the nozzle with some force. Failure to follow these instructions could result in an eye injury or other serious personal injury.

To connect a nozzle to the spray wand:

- Turn off the pressure washer and shut off the water supply. **Pull trigger to release water pressure.**
- Engage the lock out on the trigger handle by pushing up on the lock out until it clicks into the slot.
- Pull back the quick-connect collar.
- Push the nozzle into place in the spray wand.
- Push the collar forward so that the nozzle is secured properly. Check to see that the nozzle is secure.

To disconnect a nozzle from the spray wand once the cleaning job is complete:

- Turn off the pressure washer and shut off the water supply. **Pull trigger to release water pressure.**
- Engage the lock out on the trigger handle by pushing up on the lock out until it clicks into the slot.
- Pull back and hold the quick-connect collar.
- Remove the nozzle by pulling it from the quick-connect collar. Place nozzle in the nozzle storage area on the top of the machine.

USING THE HIGH PRESSURE HOSE

WARNING:

Injection hazard. Fully unwrap and straighten high pressure hose prior to and during each use and do not allow it to become kinked. The high pressure hose features an outer covering that provides strength to the hose. If the outer covering becomes damaged, stop using the hose and replace it immediately. A kinked or damaged hose can develop a high pressure leak and result in a possible injection or other serious personal injury.

To prevent damage to the outer covering:

- Inspect the hose before every use.
- Fully unwrap and straighten the hose before use.
- Do not allow the high pressure hose to be kinked.

- Keep the hose away from hot surfaces and sharp edges.
- Do not pull the unit by the high pressure hose.
- Do not allow the hose to be crushed or wrapped around objects.

WASHING WITH DETERGENT

See Figures 14 - 16.

As sold, this unit is designed for use with “downstream” pressure washer detergents. To convert for use with “upstream” detergents, contact customer service or a qualified customer service center for more information.

NOTICE:

USE ONLY DETERGENTS DESIGNED FOR PRESSURE WASHERS. Do not use household detergents, acids, alkalines, bleaches, solvents, flammable material, or industrial grade solutions, which can damage the pump or cause property damage. Many detergents may require mixing prior to use. Prepare cleaning solution as instructed on the solution bottle. Always test in an inconspicuous area before beginning.

- Push the open end of the clear soap injection hose securely over the fitting as shown.

NOTE: Keep hose away from hot surfaces.

- Remove the cap from the detergent container and place the soap injection hose with filter into the container.

NOTE: The machine setting of this unit is 20:1, which usually allows the use of 1 gallon pressure washer detergent without further dilution. Check your detergent instructions to be sure additional dilution is not necessary.

- Install the blue soap nozzle on the spray wand.
- Squeeze the trigger and wait approximately 5 seconds for the detergent to appear.
- Spray the detergent on a dry surface using long, even, overlapping strokes. To prevent streaking, do not allow detergent to dry on the surface.

Before shutting off the engine:

- Place the soap injection hose in a bucket of clean water.
- Spray the clear water through the spray wand until the bucket is empty.
- If any detergent remains in the spray, repeat with a second bucket of clean water.
- Shut off the engine.

NOTE: Shutting off the engine will not relieve pressure in the system. **Pull trigger to release water pressure.**

RINSING WITH THE PRESSURE WASHER

- Turn off the pressure washer and shut off the water supply. **Pull trigger to release water pressure.**
- Engage the lock out on the trigger handle by pushing up on the lock out until it clicks into the slot.

OPERATION

- Remove the soap nozzle by placing hand over nozzle then pulling back the quick-connect collar. Place soap nozzle in the nozzle storage area on the machine.
- Select the right nozzle for the job. See the chart shown earlier in the manual to select the appropriate nozzle.
NOTE: If the detergent injection hose is installed, remove it before rinsing.
- Start at the top of the area to be rinsed and work down, overlapping the strokes.

USING PUMP PROTECTOR

See Figure 17.

Regular use of a commercially available pump protector prolongs the life of the pressure washer by removing hard water mineral deposits, lubricating pump seals and pistons, and preventing freeze damage. Pump protector should be added to the unit after every use and before storage. Pump protector can be purchased at the retailer where you purchased your pressure washer, or by calling customer service.

The instructions that follow are typical for adding pump protector but you should always verify the specific instructions provided by the manufacturer of the pump protector.

- Turn off the pressure washer engine and shut off the water supply. **Pull trigger to release water pressure.**
- Disconnect garden hose and high pressure hose.

- Unscrew threaded top from pump protector bottle and remove paper seal from bottle. Reinstall top on bottle and tighten securely.

NOTE: The rubber seal should remain inside the threaded top. If it comes out, be sure to replace before reinstalling the top.

- Remove bottle cap and attach threaded end of bottle securely to pressure washer pump water intake.
- Squeeze bottle to inject contents into pump.
- With engine switch off, pull starter grip and rope to cycle pump, then squeeze bottle again to guarantee complete coverage.
- Pump is protected when the protector fluid exits the pump outlet.

MOVING THE PRESSURE WASHER

See Figure 18.

NOTE: Never lift or carry this product using the handle and never place the unit in any position other than upright on its wheels.

- Turn the pressure washer off.
- Tilt the machine toward you slightly until it balances on the wheels then roll the machine to the desired position. Do not tilt forward or sideways when moving.
- DO NOT attempt to move the unit by pulling on any of the hoses.

MAINTENANCE

Normal maintenance, replacement or repair of emission control devices and systems may be performed by any qualified repair establishment or individual with original or equivalent parts. Warranty and recall repairs must be performed by an authorized service center; please contact customer service for assistance.

WARNING:

Before inspecting, cleaning, or servicing the machine, shut off engine, wait for all moving parts to stop, and disconnect spark plug wire and move it away from spark plug. Failure to follow these instructions can result in serious personal injury or property damage.

WARNING:

Always wear eye protection with side shields marked to comply with ANSI Z87.1. Failure to do so could result in objects being thrown into your eyes resulting in possible serious injury.

WARNING:

When servicing, use only recommended or equivalent replacement parts. Use of any other parts could create a hazard or cause product damage.

NOTICE:

This product is not equipped with a spark arrestor and cannot be used on U.S. forest lands; in addition, product users must comply with Federal, State, and local fire prevention regulations. Check with appropriate authorities. Refer to accompanying engine manual for maintenance and replacement parts.

NOTICE:

Periodically inspect the entire product for damaged, missing, or loose parts such as screws, nuts, bolts, caps, etc. Tighten securely all fasteners and caps and do not operate this product until all missing or damaged parts are replaced. Please contact customer service or a qualified service center for assistance.

MAINTENANCE

GENERAL MAINTENANCE

Avoid using solvents when cleaning plastic parts. Most plastics are susceptible to damage from various types of commercial solvents and may be damaged by their use. Use clean cloths to remove dirt, dust, oil, grease, etc.

WARNING:

Do not at any time let brake fluids, gasoline, petroleum-based products, penetrating oils, etc., come in contact with plastic parts. Chemicals can damage, weaken or destroy plastic which could result in serious personal injury.

Before running the engine, perform the following pre-operation steps:

- Check that all bolts, nuts, etc., are securely tightened.
- Make sure the air filter is clean.
- Check both the engine lubricant level and the fuel tank level; refill as needed.
- Inspect the work area for hazards.
- If there is excessive noise or vibration, stop the unit immediately.

NOZZLE MAINTENANCE

Excessive pump pressure (a pulsing sensation felt while squeezing the trigger) may be the result of a clogged or dirty nozzle.

- Turn off the pressure washer and shut off the water supply. **Pull trigger to release water pressure.**
- Remove the nozzle from the spray wand.

WARNING:

NEVER remove nozzles without first turning off the engine, relieving the water pressure in the trigger handle, and locking the lock out on the trigger handle. NEVER point the nozzle at your face or at others. The quick-connect feature contains small springs that could eject the nozzle with some force. Failure to follow these instructions could result in an eye injury or other serious personal injury.

- To free any foreign materials clogging or restricting the nozzle, blow out or remove debris with a straightened paper clip or with a fine needle.
- Using a garden hose, flush debris out of nozzle by back flushing (running the water through the nozzle backwards or from the outside to the inside).
- Reconnect the nozzle to the spray wand.
- Turn on the water supply and start the engine.

PUMP MAINTENANCE

Routinely make a visual inspection of the pump. If you notice any leaking of lubricant around the pump oil seals, take the pressure washer to a qualified service center for repair.

There are no user serviceable parts to the pressure washer pump. Any attempt to service or alter the pump may damage the pressure washer and void your product warranty.

STORING THE PRESSURE WASHER

See Figure 19.

NOTE: Regular use of fuel stabilizer and pump protector will give you better performance of the unit and increase the life of the pump.

WARNING:

While storing, keep at least 3 feet of clearance on all sides of this product, including overhead. Allow a minimum of 30 minutes of “cool down” time before storage. Heat created by muffler and exhaust gases could be hot enough to ignite combustible objects.

Store in a dry, covered area where the weather can't damage it. It is important to store this product in a frost-free area. Always empty water from all hoses and the pump before storing.

- Drain the fuel tank completely by running the pressure washer until the gas runs out. Stored gas can go stale in 30 days.

NOTE: Make sure the water supply is connected and turned on when allowing the pressure washer engine to run.

- Make sure the on/off switch is in the **OFF** position and the fuel valve is in the CLOSED position.
- Disconnect both the high pressure hose and the garden hose from the pump.
- Empty the pump by pulling on the starter grip and rope about 6 times. This should remove most of the liquid from the pump.

NOTICE:

The use of a pump protector is required after each use and before storing to prevent cold weather and seal damage during storage. Failure to use pump protector will void your warranty.

- Drain the lubricant and replace with fresh, clean lubricant as described in the engine manual.
- Disconnect spark plug wire and remove the spark plug. Pour about a teaspoon of clean, air-cooled, four-cycle lubricant through the spark plug hole into the combustion chamber.
- Leaving the spark plug out, pull the starter grip and rope two or three times to coat the inside of the cylinder wall.

MAINTENANCE

- Inspect the spark plug and clean or replace, as necessary.
- Reinstall the spark plug, but leave the spark plug wire disconnected.
- Clean the air filter.
- Extend the starter grip rope to check its condition. If the rope is frayed, have it replaced immediately by a qualified service center.
- Remove all hoses. Coil the hoses and store as shown. Do not allow the hose to become kinked.
- Store the unit and accessories in an area that does not reach freezing temperatures. Do not store near furnace or other sources of heat that could dry out the pump seals.

PREPARING FOR USE AFTER STORAGE

- Pull the starter grip and rope three or four times to clean lubricant from the combustion chamber.
- Remove spark plug from the cylinder. Wipe lubricant from the spark plug and return it to the cylinder.
- Reconnect the spark plug wire.
- Refuel the machine as described earlier in the operator's manual.

PERIODIC MAINTENANCE SCHEDULE

NOTE: If a separate engine manual is provided for this pressure washer, please follow the maintenance schedule provided in the engine manual instead of the maintenance information listed below.

Maintenance Items	Each use	Weekly	25 hrs	50 hrs	200 hrs
Check for water leaks under manifold, into crankcase	•				
Plumbing		•			
Clean engine and check nuts and bolts	•				
Check and refill engine lubricant	•				
Change engine lubricant (initial change) ¹	•				
Check water inlet filter placement ²	•				
Add fuel stabilizer	•				
Add pump protector	•				
Change engine lubricant				•	
Check spark plug				•	
Clean air filter			•		
Replace air filter element					•
Clean and adjust spark plug and electrodes				•	
Replace spark plug					•

¹ Initial lubricant change should be performed after first 20 hours of operation. Thereafter, change lubricant every 100 hours.

² If water inlet filter is missing or damaged, it must be replaced. See Replacement Parts List available online or call customer service for part number to order.

NOTE: If you are not sure how to perform any of the maintenance items listed above, take the unit to a qualified service center to have the maintenance item performed.

TROUBLESHOOTING

PROBLEM	POSSIBLE CAUSE	SOLUTION
Engine fails to start	No fuel in tank Spark plug shorted or fouled Spark plug is broken (cracked porcelain or electrodes broken) Ignition lead wire shorted, broken, or disconnected from spark plug Ignition inoperative Choke in wrong position Engine is flooded	Fill tank Replace spark plug Replace spark plug Replace lead wire or attach to spark plug Contact a qualified service center Move choke to START position to start a cold engine. If engine is warm, choke should be in RUN position. Move choke to RUN position and pull the starter grip and rope repeatedly until the engine starts.
Engine hard to start	Water in gasoline Weak spark at spark plug	Drain entire system and refill with fresh fuel Contact a qualified service center
Engine lacks power	Dirty air filter	Clean or replace air filter
Detergent fails to mix with spray	Soap injection hose is not properly submerged High pressure nozzle attached	Insert soap injection hose into soap container Use blue soap nozzle to apply detergent
Pump doesn't produce pressure	Low pressure nozzle installed Inadequate water supply Spray wand leaks Nozzle is clogged Air in line Hose is leaking Kink in hose Pump is faulty	Replace with high pressure nozzle Provide adequate water flow Check connections and / or replace wand Clean nozzle Squeeze trigger on spray wand to remove air from line Replace hose Eliminate kinks in hose Contact a qualified service center
Machine doesn't reach high pressure	Diameter of garden hose is too small Water supply is restricted Not enough inlet water Wrong nozzle is attached	Replace with 3/4 in. garden hose Check garden hose for kinks, leaks, and blockages Open water source full force Attach the high pressure nozzle

If problem persists after trying the above solutions, contact customer service or a qualified service center for assistance.

NOTICE:

As the equipment owner, you are responsible for the performance of the required maintenance listed in the *Maintenance* section. It is recommended that you retain all receipts covering maintenance on your equipment. Neglecting or failing to perform the required maintenance may increase emissions, decrease fuel efficiency, degrade performance, cause irreversible engine damage and/or void your warranty.

WARRANTY

LIMITED NON-ENGINE WARRANTY STATEMENT

OWT Industries, Inc., (the Company) warrants to the original retail purchaser that this PowerStroke Product is free from defects in material and workmanship and agrees to repair or replace, at the Company's discretion, any defective Product free of charge within these time periods from the date of purchase:

- Two years, if the Product is used solely for personal, family, or household use;
- 90 days, if the Product is used for business or commercial use.

This warranty applies only to Products sold within the United States of America, the District of Columbia, Canada, Mexico, the Commonwealth of Puerto Rico, the Virgin Islands, or Guam.

This warranty is not transferable and does not cover damage resulting from defects other than in material or workmanship, or damage caused by unreasonable use, including the failure to provide reasonable and necessary maintenance.

Other items not covered under this warranty include:

- Transportation charges for sending the product to the Company or its authorized service representative for warranty service, or for shipping repaired or replacement products back to the customer; these charges must be borne by the original retail purchaser.
- Damages caused by abuse, accident, misuse, neglect, alteration, modification, the effects of corrosion, erosion, normal wear and tear or repairs by other than the Company or its authorized service representative.
- In addition this warranty does not cover:
 - Tune-ups – Spark Plugs, Carburetor, Carburetor Adjustments, Ignition, Filters, Oil Change
 - Wear items – Recoil Starter Rope, Engine Brushes, Cotter Pins, Wheels

Warranty is voided if the customer fails to install, maintain and operate the product in accordance with the instructions and recommendations of the Company as set forth in the Product's operator's manual or if the Product is used as rental equipment.

The Company will not pay for repairs or adjustments to the Product, or for any costs or labor, performed without the Company's prior authorization.

IMPORTANT: Some components not covered under this warranty may still be covered by a separate warranty issued by the engine manufacturer. Please see the Engine Manufacturer Warranty (if any) supplied with this product for further details.

SAVE YOUR SALES SLIP

Proof of purchase in the form of your dated sales receipt, cash register slip, etc., will be required before the Company and/or its authorized service representatives can perform warranty service on the Product.

EXCLUSIONS AND LIMITATIONS

THIS LIMITED WARRANTY IS IN LIEU OF ALL OTHER EXPRESS WARRANTIES. ANY IMPLIED WARRANTY OF MERCHANTABILITY, FITNESS FOR A PARTICULAR PURPOSE, OR OTHERWISE, APPLICABLE TO THIS PRODUCT, SHALL BE LIMITED IN DURATION TO THE DURATION OF THIS LIMITED WARRANTY. THE WARRANTY SERVICE DESCRIBED ABOVE IS THE EXCLUSIVE REMEDY UNDER THIS WARRANTY. THE COMPANY SHALL NOT BE LIABLE FOR ANY SPECIAL, INCIDENTAL OR CONSEQUENTIAL DAMAGES.

SOME STATES DO NOT ALLOW A LIMITATION ON THE DURATION OF IMPLIED WARRANTIES, OR THE EXCLUSION OR LIMITATION OF INCIDENTAL, OR CONSEQUENTIAL DAMAGES, SO THE ABOVE LIMITATION OR EXCLUSION MAY NOT APPLY TO YOU.

HOW TO OBTAIN WARRANTY SERVICE

For warranty service: Call toll free 1-877-617-3501, or write to OWT Industries, Inc., P.O. Box 35, Hwy. 8, Pickens, SC 29671.

For warranty service outside the USA, please contact your local PowerStroke dealer.

INSTRUCCIONES DE SEGURIDAD IMPORTANTES

PELIGRO:

Riesgo de incendios y lesiones por quemaduras: Nunca retire la tapa de combustible mientras esté encendida la unidad. Apague el motor y deje enfriar la unidad durante al menos cinco minutos. Retire la tapa lentamente.

ADVERTENCIA:

Lea y comprenda todas las instrucciones. El incumplimiento de todas las instrucciones siguientes puede causar descargas eléctricas, incendio o intoxicación por monóxido de carbono, lo cual puede causar la muerte o lesiones graves.

LEA TODAS LAS INSTRUCCIONES




- **Familiarícese con la herramienta.** Lea cuidadosamente el manual del operador. Aprenda los usos y limitaciones de la máquina, así como los posibles peligros específicos de esta herramienta.
- **Mantenga las protecciones en su lugar** y en buenas condiciones de trabajo. Nunca utilice la herramienta con ninguna de las protecciones o cubiertas quitadas. Asegúrese de que todas las protecciones estén funcionando de forma correcta antes de utilizar la unidad.
- **Retire toda llave y herramienta de ajuste.** Adquiera el hábito de verificar que se haya retirado de la herramienta eléctrica toda llave y herramienta de ajuste antes de encenderla.
- **Para reducir el riesgo de lesiones,** mantenga a alejados a niños y demás circunstantes. Todos los presentes deben llevar puestos anteojos de seguridad y permanecer a una distancia segura del área de trabajo.
- **Mantenga alejadas del área de trabajo a todas las personas,** particularmente a los niños de corta edad, y también a las mascotas.
- **No haga arrancar o funcionar el motor en un espacio confinado, de edificio, cerca de ventana abiertas, o en otro área sin ventilación** donde se puedan recolectar las emanaciones de monóxido de carbono. El monóxido de carbono, un gas incoloro, inodoro y sumamente peligroso, puede causar la pérdida de la conciencia o la muerte.
- **Use la herramienta adecuada a la tarea.** No fuerce la herramienta ni ningún accesorio a efectuar tareas para las que no están hechos. No la use para propósitos no indicados en las instrucciones.
- **Vístase adecuadamente.** Use pantalones largos y mangas largas. No vista ropas, guantes, corbatas o joyas holgadas. Pueden resultar atrapadas y tirar de usted hacia piezas en movimiento. Se recomiendan guantes y calzado antiderrapantes al trabajar al aire libre. Si tiene el pelo largo cúbrase de alguna manera para contenerlo.
- **No accione el equipo cuando esté descalzo o al llevar puestas sandalias o calzado liviano similar.** Use calzado de seguridad que le proteja sus pies y mejore su postura en superficies resbaladizas.
- **Tenga suma precaución para evitar resbalarse o caer.**
- **Siempre póngase protección ocular con protección lateral con la marca de cumplimiento de la norma ANSI Z87.1.** Con el cumplimiento de esta regla se reduce el riesgo de lesiones corporales serias.
- **No se estire ni se pare sobre escalones, escaleras, azoteas o soportes inestables.** Mantenga una postura firme y buen equilibrio en todo momento.
- **Utilice sólo accesorios recomendados.** El empleo de accesorios inadecuados puede presentar riesgos de lesiones.
- **Siga las instrucciones de la mantenimiento especificadas en este manual.**
- **Inspeccione las piezas dañadas.** Antes de seguir utilizando la herramienta, es necesario inspeccionar cuidadosamente toda protección o pieza dañada para determinar si funcionará correctamente y desempeñará la función a la que está destinada. Verifique la alineación de las partes móviles, que no haya atoramiento de las mismas, que no haya piezas rotas, el montaje de las piezas y cualquier otra condición que pudiera afectar su funcionamiento. Toda protección o pieza que esté dañada debe repararse apropiadamente o reemplazarse en un centro de servicio calificado.
- **Nunca deje desatendida ninguna herramienta en funcionamiento. Apague la herramienta.** No se aleje de la herramienta hasta no verla completamente detenida.
- **Conserve el motor limpio de césped, hojas o grasa** a fin de reducir el riesgo de incendio.
- **Mantenga el tubo de escape libre de objetos extraños.**
- **Siga las recomendaciones del fabricante para lograr la carga, descarga, transporte y almacenamiento seguros de la máquina.**
- **Familiarícese completamente con los controles.** Aprenda a detener la máquina y a liberar rápidamente la presión.
- **Mantenga la herramienta seca, limpia y libre de aceite y grasa.** Siempre utilice un paño limpio para la limpieza de la unidad. Nunca utilice fluidos para frenos, gasolina, productos a base de petróleo ni solventes para limpiar la herramienta.
- **Permanezca alerta y en control.** Preste atención a lo que esté haciendo y aplique el sentido común. No utilice la herramienta cuando esté cansado. No se apresure.
- **No utilice la unidad si se encuentra bajo los efectos de drogas, alcohol o medicamentos.**
- **Revise el área de trabajo cada vez antes de utilizar esta herramienta.** Retire todos los objetos como piedras, vidrio roto, clavos, alambre o cuerda que puedan salir disparados o enredarse en la máquina.
- **No utilice la herramienta si el interruptor no apaga.** Lleve todo interruptor a un centro de servicio calificado para que lo reparen.
- **Antes de limpiar, reparar o inspeccionar la máquina,** apague el motor y cerciórese de que se hayan detenido todas las partes en movimiento. Desconecte el cable de la bujía, y mantenga dicho cable alejado de la bujía para evitar el arranque accidental de la unidad.
- **Evite tener un entorno de trabajo peligroso.** No utilice herramientas eléctricas en lugares húmedos o mojados ni las exponga a la lluvia. Mantenga bien iluminada el área de trabajo.
- **Nunca utilice la unidad en una atmósfera explosiva.** El chispeo normal del motor podría encender los gases presentes.
- **No utilice la unidad mientras fuma ni cerca de llamas abiertas.**
- **No utilice la unidad cerca de** vegetación o ramas secas, paños de textiles ni otros materiales inflamables.
- **ADVERTENCIA: Riesgo de inyección o de lesión** – No dirija el chorro hacia las personas.

REGLAS DE SEGURIDAD ESPECÍFICAS








- **Sea precavido cuando posicione la lavadora de presión para usarla.** El aire tibio que sale del motor podría causar áreas puntuales descoloridas en el césped.
- **Nunca dirija un chorro de agua en dirección de personas o animales, ni hacia dispositivos eléctricos.**
- **Antes de iniciar cualquier operación de limpieza,** cierre puertas y ventanas. Despeje el área a limpiar y elimine cualesquier desechos, juguetes, muebles de patio u otros objetos que pudiesen crear un peligro.
- **Nunca alce ni transporte una máquina mientras se encuentre en marcha.**
- **Nunca ponga en marcha la máquina** si se ha formado hielo en cualquier parte del equipo.
- **No use soluciones ácidas, alcalinas, solventes, materiales inflamables o de grado industrial** en este producto. Estos productos pueden causar lesiones físicas al operador y daños irreparables a la máquina.
- **Siempre ponga en marcha la máquina** en superficies niveladas. Si el motor se encuentra inclinado, podría agarrotarse debido a la lubricación insuficiente (incluso con el nivel de lubricante al máximo).
- **ADVERTENCIA: Los chorros de alta presión pueden ser peligrosos si se utilizan indebidamente.** Nunca dirija el chorro a personas, animales, dispositivos eléctricos ni a la máquina misma.
- **Sujete el mango con gatillo firmemente con ambas manos.** Se espera que el mango del gatillo se mueva cuando se tire del gatillo como consecuencia de las fuerzas de reacción. La inobservancia de esta advertencia podría causar pérdida de control y lesiones a usted y a otras personas.
- **Nunca intente efectuar ajuste alguno mientras el motor está en marcha** (excepto cuando así lo recomiende específicamente el fabricante).
- **Cuando el motor esté en marcha, es imperativo que las cubiertas de protección cubran las partes en movimiento.**
- **Mantenga la entrada de aire de enfriamiento** (el área del mango del arrancador y cuerda) y el lado del silenciador alejados un mínimo de 91 cm (tres pies) de cualquier edificación, obstrucciones y otros objetos combustibles.
- **Mantenga alejado el motor de materiales inflamables y de otros materiales peligrosos.**
- **Evite el contacto con las partes calientes de la unidad.** El silenciador y otras partes del motor se calientan mucho; tenga precaución.
- **No toque la bujía ni el cable de ignición** durante el arranque ni durante el funcionamiento del motor.
- **Cada vez antes de usar la unidad, inspeccione las mangueras de combustible y los acoplamientos pertinentes** para verificar que no estén flojos ni haya derrames de combustible.
- **Antes de cada uso, inspeccione los pernos y las tuercas** para verificar que están apretados. Una tuerca o perno sueltos pueden causar problemas graves en el motor.
- **Siempre reabastezca el combustible al aire libre.** Nunca reabastezca el combustible en espacios interiores ni en áreas con ventilación insuficiente.
- **Nunca guarde la máquina con combustible en el tanque dentro de un edificio** donde haya presentes fuentes de ignición, como el agua caliente y calentadores locales, secadoras de ropa y cosas parecidas.
- **Si es necesario vaciar el tanque de combustible, hágalo al aire libre en un recipiente de uso aprobado para gasolina y alejado de fuentes de ignición.**
- **Para reducir el riesgo de incendio o de lesiones por quemadura,** maneje con cuidado el combustible. Es sumamente inflamable.
- **No fume mientras esté mezclando el combustible o reabasteciendo el tanque.**
- **Reabastezca de combustible la unidad antes de arrancar el motor.** Nunca retire la tapa del tanque de combustible ni lo reabastezca mientras esté encendida o caliente la unidad.
- **Afloje la tapa del tanque de combustible lentamente** para aliviar la presión y evitar que se escape combustible por la tapa.
- **Vuelva a colocar firmemente la tapa del tanque de combustible y la del recipiente.**
- **Limpie todo el combustible que se haya derramado de la unidad.** Aléjese por lo menos 9 metros (30 pies) del sitio de reabastecimiento de combustible antes de encender el motor.
- **Si se derrama combustible,** no intente arrancar el motor; aleje la máquina del área del derramamiento y evite causar una fuente de ignición hasta que se disipen los vapores del combustible.
- **Nunca intente en ninguna circunstancia eliminar el combustible derramado quemándolo.**
- **Antes de guardar el lavadora a presión deje que se enfríe durante 30 minutos y drene el combustible de la unidad.**
- **Guarde la unidad en un lugar frío y bien ventilado,** a una distancia segura de todo equipo generador de chispas o llamas.
- **Guarde el combustible en recipientes diseñados específicamente para tal fin.**
- **Antes de transportar la unidad en un vehículo, vacíe el tanque de combustible e inmovilícela.**
- **Al dar servicio a la unidad, sólo utilice piezas de repuesto recomendados o equivalentes.** El empleo de piezas diferentes puede causar un peligro o dañar el producto.
- **Use SOLAMENTE agua fría.**
- **Asegúrese de que haya una distancia mínima de 914 mm (tres pies) de todo material combustible.**
- **Nunca rocíe la superficie** para ser limpiado como usted puede dañar la superficie.
- **Luego de detener el motor, siempre presione el gatillo ubicado en el mango del gatillo para aliviar la presión acumulada en la manguera de alta presión.** La inobservancia de esta advertencia puede causar lesiones personales graves.
- **Asegúrese de que la manguera de alta presión esté conectada adecuadamente antes de usar el producto.**
- **Para usarse sólo en el exterior.**
- **Guarde estas instrucciones.** Consúltelas frecuentemente y utilícelas para instruir a otros usuarios. Si presta a alguien esta herramienta, facilítele también las instrucciones.

SÍMBOLOS

Las siguientes palabras de señalización y sus significados tienen el objeto de explicar los niveles de riesgo relacionados con este producto.



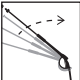


SÍMBOLO	SEÑAL	SIGNIFICADO
	PELIGRO:	Indica una situación peligrosa inminente, la cual, si no se evita, causará la muerte o lesiones serias.
	ADVERTENCIA:	Indica una situación peligrosa posible, la cual, si no se evita, podría causar la muerte o lesiones serias.
	PRECAUCIÓN:	Indica una situación potencialmente peligrosa la cual, si no se evita, puede causar lesiones leves o moderadas.
	AVISO:	(Sin el símbolo de alerta de seguridad) Indica información importante no relacionada con ningún peligro de lesiones, como una situación que puede ocasionar daños físicos.

Es posible que se empleen en esta producto algunos de los siguientes símbolos. Le suplicamos estudiarlos y aprender su significado. Una correcta interpretación de estos símbolos le permitirá utilizar mejor y de manera más segura la producto.

SÍMBOLO	NOMBRE	DENOMINACIÓN/EXPLICACIÓN
	Alerta de seguridad	Indica un peligro posible de lesiones personales.
	Lea manual del operador	Para reducir el riesgo de lesiones, el usuario debe leer y comprender el manual del operador antes de usar este producto.
	Protección ocular	Siempre póngase protección ocular con protección lateral con la marca de cumplimiento de la norma ANSI Z87.1.
	Alerta de condiciones húmedas	No exponga la unidad a la lluvia ni la use en lugares húmedos.
	Superficie caliente	Para reducir el riesgo de lesiones corporales o daños materiales evite tocar toda superficie caliente.
	Riesgo de inyecciones	Para reducir el riesgo de una inyección o lesión, nunca dirija un chorro de agua hacia personas o mascotas ni ponga ninguna parte del cuerpo en el chorro. Las fugas presentes en mangueras y acopladores también pueden causar lesiones por inyección. No sujete ninguna manguera ni acoplador.
	Riesgo de explosión	No pulverice líquidos inflamables. Líquidos inflamables, el combustible y sus vapores del mismo son explosivos y pueden causar quemaduras graves e incluso la muerte.

SÍMBOLOS

Es posible que se empleen en esta producto algunos de los siguientes símbolos. Le suplicamos estudiarlos y aprender su significado. Una correcta interpretación de estos símbolos le permitirá utilizar mejor y de manera más segura la producto.

SÍMBOLO	NOMBRE	DENOMINACIÓN/EXPLICACIÓN
	Riesgo de incendio	El combustible y los vapores del mismo son extremadamente inflamables y explosivos. El fuego puede causar quemaduras graves e incluso la muerte.
	Emanaciones tóxicas	Los aparatos de gasolina emiten monóxido de carbono, un gas tóxico incoloro e inodoro. Si se inhala monóxido de carbono puede causarse náusea, desmayo o la muerte.
	Contragolpe	Para reducir el riesgo de lesiones por un contragolpe, sujete firmemente el tubo rociador con ambas manos cuando esté encendida la máquina.
	Descarga eléctrica	Si no se usa la unidad en condiciones secas y no se observan prácticas seguras de trabajo, puede producirse una descarga eléctrica.
	Quemaduras químicas	Para reducir el riesgo de lesiones o daños físicos, NO USE SOLUCIONES ÁCIDAS, ALCALINAS, BLANQUEADORES, SOLVENTES, MATERIALES INFLAMABLES O DE GRADO INDUSTRIAL en este producto.

CARACTERÍSTICAS

ESPECIFICACIONES DEL PRODUCTO

Motor	GCV 190
Capacidad del tanque de combustible	0,9 litros (0,25 gal)
Libras de presión máximas por pulgada cuadrada*	3 000 psi
Galones máximos por minuto*	9,5 lpm (2,5 gpm)
Temperatura máxima de agua de cala	40 °C (104 °F)

*Máximo que valora determinado por el estándar de PWMA 101

FAMILIARÍCESE CON LA LAVADORA DE PRESIÓN

Vea la figura 1.

Para usar este producto con la debida seguridad se debe comprender la información indicada en la herramienta misma y en este manual, y se debe comprender también el trabajo que intenta realizar. Antes de usar este producto, familiarícese con todas las características de funcionamiento y normas de seguridad del mismo.

SISTEMA AUTOMÁTICO DE INYECCIÓN DE JABÓN

Coloque la manguera de inyección de jabón con filtro en el detergent para lavadoras a presión que desee para aplicarlo de manera rápida y fácil a su proyecto de limpieza. El uso de la boquilla para jabón activará el inyector de jabón con una razón de dilución de 20:1.

TANQUE DE COMBUSTIBLE

Este tanque de combustible tiene una capacidad de 0,9 litros (0,25 gal). Use gasolina sin plomo para vehículos.

ESCUADRA DE SOPORTE PARA ALMACENAMIENTO

Después de enrollar la manguera de alta presión, cuélguelo en la espalda de la máquina que utiliza el estira correa para asegurar en el lugar.

INTERRUPTOR DE ENCENDIDO/APAGADO

El interruptor de encendido/apagado se utiliza en combinación con el arrancador retráctil para arrancar del motor. Además se utiliza para apagar del motor.

MANGO DEL ARRANCADOR Y CUERDA

Con un tirón del mango del arrancador y cuerda se arranca el motor.

VÁLVULA DE SEGURIDAD TÉRMICA

Este dispositivo de la bomba evita que la temperatura del agua alcance un nivel peligroso; para ello, deja salir una pequeña cantidad de agua. Una vez salida el agua, la válvula de seguridad térmica se reinicializa automáticamente.

MANGO DEL GATILLO

El mango del gatillo dispone de una superficie de sujeción ranurada la cual proporciona control adicional de dicho tubo y reduce la fatiga del operador.

GATILLO CON SEGURO

Al tirar del gatillo sale un chorro de agua para limpiar con alta presión. El seguro ofrece protección contra todo uso no autorizado.

ARMADO

DESEMPAQUETADO

Este producto requiere armarse.

- Extraiga cuidadosamente de la caja la herramienta y los accesorios. Asegúrese de que estén presentes todos los artículos enumerados en la lista de empaquetado.

NOTA: Esta herramienta es pesada. Para evitar sufrir lesiones en la columna, levante con las piernas, no con la espalda, y obtenga ayuda cuando sea necesario.

ADVERTENCIA:

No utilice este producto si alguna pieza incluida en la lista de empaquetado ya está ensamblada al producto cuando lo desempaqueta. El fabricante no ensambla las piezas de esta lista en el producto. Éstas deben ser instaladas por el usuario. El uso de un producto que puede haber sido ensamblado de forma inadecuada podría causar lesiones personales graves.

- Inspeccione cuidadosamente la herramienta para asegurarse de que no haya sufrido ninguna rotura o daño durante el transporte.
- No deseche el material de empaquetado hasta que haya inspeccionado cuidadosamente la herramienta y la haya utilizado satisfactoriamente.
- Si hay piezas dañadas o faltantes, le suplicamos llamar al 1-877-617-3501, donde le brindaremos asistencia.

LISTA DE EMPAQUETADO

Lavadora de presión

Manguera de alta presión de 7,6 m (25 pies)

Manguera de inyección de detergente con filtro

Mango del gatillo

Tubo rociador

Boquilla de conexión rápida (4)

Lubricante para motor de 4 tiempos (SAE 30 y SAE 10W30)

Embudo descartable

Mango

Manual del operador

ADVERTENCIA:

Si hay piezas dañadas o faltantes, no utilice esta herramienta sin haber reemplazado todas las piezas. Usar este producto con partes dañadas o faltantes puede causar lesiones serias al operador.

ADVERTENCIA:

No intente modificar esta herramienta ni hacer accesorios no recomendados para la misma. Cualquier alteración o modificación constituye maltrato, el cual puede causar una condición peligrosa, y como consecuencia posibles lesiones serias.

ADVERTENCIA:

Para evitar un arranque accidental que podría causar lesiones corporales graves, siempre desconecte el cable de la bujía del motor de la bujía misma al ensamblar las piezas.

INSTALACIÓN DEL MANGO

Vea la figura 2.

PRECAUCIÓN:

Sea precavido cuando instale el mango en el bastidor: evite pellizcarse los dedos o las manos.

Mantenga presionado el botón del mango y deslice el mango dentro de los orificios del bastidor.

NOTA: Antes de usar la unidad, tire del mango hacia arriba hasta que el botón de aseguramiento pase a través de la ranura correspondiente y asegure el mango en su lugar.

ENSAMBLAJE DEL TUBO ROCIADOR CON EL MANGO DEL GATILLO

Vea la figura 3.

- Coloque el extremo del tubo rociador en el conector del extremo el mango del gatillo.
- Gire a la derecha el conector hasta que se detenga. De esta manera se asegura en su lugar el tubo rociador.

CÓMO CONECTAR LA MANGUERA DE ALTA PRESIÓN AL MANGO DEL GATILLO

Vea la figura 4.

- Enrosque el casquillo de la manguera de alta presión en el acoplador de entrada el mango del gatillo; para ello, gire a la derecha el casquillo de la manguera. Apriete firmemente.

NOTA: Tenga cuidado de no trasroscar la rosca, ya que esto podría provocar que el mango del gatillo pierda durante su uso.

- Tire de la manguera para asegurarse de que esté debidamente asegurada.

ARMADO

CÓMO CONECTAR LA MANGUERA DE ALTA PRESIÓN A LA BOMBA

Vea la figura 5.

- Desenrolle y enderece completamente la manguera de alta presión para evitar la formación de acodaduras.

NOTA: Vea **Uso de la manguera de alta presión** en la sección *Funcionamiento* para obtener más información sobre el uso de la manguera de alta presión.

- Alinee el casquillo de la manguera con la salida con rosca de la bomba.
- Coloque el casquillo de la manguera de alta presión en la conexión roscada.
- Gire a la derecha el casquillo y fije firmemente la manguera a la bomba.

NOTA: Tenga cuidado de no trasroscar la rosca, ya que esto podría provocar que la manguera pierda durante su uso.

- Tire de la manguera para asegurarse de que esté debidamente asegurada.

CÓMO CONECTAR UNA MANGUERA DE JARDÍN A LA LAVADORA DE PRESIÓN

Vea la figura 6.

AVISO:

Siempre observe las normas locales cuando conecte las mangueras a la tubería principal de agua. En algunas áreas existen restricciones para la conexión directa al suministro público de agua potable a fin de evitar la retroalimentación de químicos al suministro de agua potable. La conexión directa a través de un tanque receptor o de una válvula contra reflujo suele estar permitida.

El suministro de agua debe venir de la tubería principal de agua. **NUNCA** use agua caliente o agua de piscinas, lagos, etc. Antes de conectar una manguera de jardín a la lavadora de presión:

- Deje correr agua por la manguera durante 30 segundos para limpiar toda la basura que pueda haber en el interior de la misma.
- Inspeccione el cedazo de la entrada de agua.
- Si está dañado el cedazo, no utilice la máquina sino hasta haber reemplazado aquél.
- Si está sucio el cedazo, límpielo antes de conectar la manguera de jardín a la máquina.

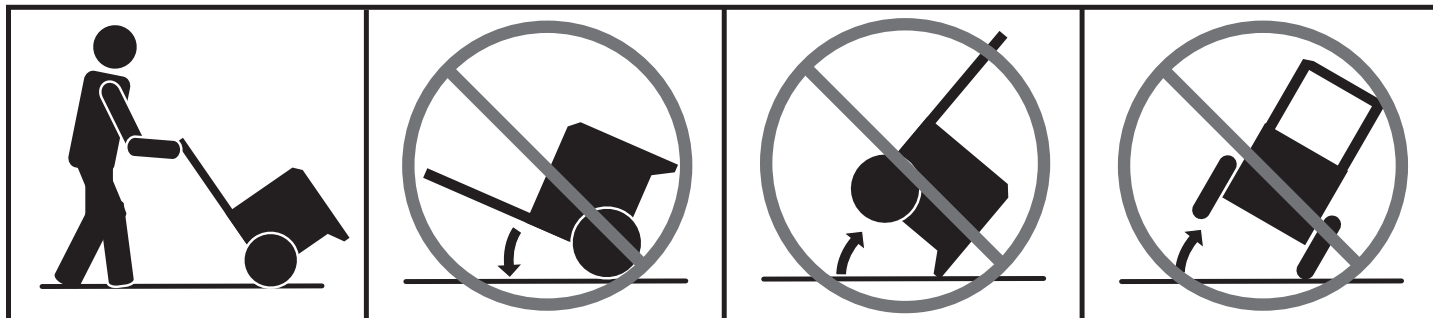
Para conectar una manguera de jardín a la máquina:

- Desenrolle completamente la manguera de jardín o quítela completamente del carrete para evitar la formación de acodaduras.
NOTA: Debe haber un mínimo de 3 metros (10 pies) de manguera sin ninguna restricción en el flujo de la misma, entre la entrada de la lavadora de presión y el grifo o válvula de cierre (como un conector de cierre en "Y").
- Teniendo el grifo de la manguera completamente cerrado, conecte el extremo de la manguera de jardín a la entrada de agua. Efectúe el apriete con la mano.

AVISO:

No encienda la lavadora a presión si no hay un suministro de agua conectado y encendido, dado que esto podría dañar los sellos de alta presión y disminuir la vida útil de la bomba. Desenrolle la manguera por completo de su carrete o bobina y asegúrese de que la manguera no esté restringida por neumáticos, rocas, ni ningún otro objeto que pueda disminuir o bloquear el flujo de agua hacia la lavadora a presión.

¡NO INCLINE DEMASIADO LA UNIDAD!



FUNCIONAMIENTO

ADVERTENCIA:

No permita que su familiarización con las herramientas lo vuelva descuidado. Tenga presente que un descuido de un instante es suficiente para causar una lesión grave.

ADVERTENCIA:

Siempre póngase protección ocular con protección lateral con la marca de cumplimiento de la norma ANSI Z87.1. Si no cumple esta advertencia, los objetos que salen despedidos pueden producirle lesiones serias en los ojos.

ADVERTENCIA:

No utilice ningún aditamento o accesorio que no haya sido recomendado por el fabricante de esta herramienta. El empleo de aditamentos o accesorios no recomendados puede causar lesiones graves.

ADVERTENCIA:

Nunca dirija un chorro de agua en dirección de personas o animales, ni hacia dispositivos eléctricos. El incumplimiento de estas instrucciones podría causar lesiones de gravedad, de descarga eléctrica o la muerte.

AVISO:

Este producto no cuenta con un parachispas y no se puede usar en terrenos forestales de EE. UU., además, los usuarios del producto deben cumplir con los reglamentos de prevención de incendios locales, estatales y federales. Consulte a las autoridades que correspondan. Consulte el manual del motor adjunto sobre el mantenimiento y las piezas de repuesto.

AVISO:

Antes de cada uso, inspeccione todo el producto para detectar partes dañadas, faltantes o sueltas, como tornillos, tuercas, pernos, tapas, etc. Apriete firmemente todos los sujetadores y las tapas y no accione este producto hasta que todas las partes faltantes o dañadas sean reemplazadas. Póngase en contacto con el servicio al cliente o con un centro de servicio calificado para obtener ayuda.

USOS

Puede usar esta herramienta en la casa para limpiar la mayoría de las superficies exteriores horizontales o verticales grandes o pequeñas, las estructuras y objetos exteriores pequeños y las herramientas y equipos para uso al aire libre.* Puede:

- Limpiar o quitar moho y hongos de terrazas, caminos de entrada, patios, caminos, aceras y otras superficies desgastadas.
- Quitar la suciedad de diversas superficies exteriores verticales tales como exteriores de casas, revestimientos de muros exteriores, cercas, paredes de ladrillo, hormigón o piedra, etc.
- Limpiar botes, muebles de patio, equipos de jardinería eléctricos o no, canalones, paneles de ventanas, parrillas, juegos para niños, etc.

**Siempre pruebe primero en un área poco notoria.*

ABASTECIMIENTO Y VERIFICACIÓN DE LUBRICANTE

Vea la figura 7.

NOTA: Esta máquina se embarcó con cerca de dos onzas de lubricante de las pruebas en el motor. **Es necesario abastecer de lubricante el motor antes de arrancarlo por primera vez.**

AVISO:

Cualquier intento de arrancar el motor sin abastecerlo de lubricante puede causar la descompostura del mismo.

Para añadir lubricante para motor:

- Coloque la lavadora de presión sobre una superficie horizontal nivelada. No la incline.
- Desenrosque la tapa del aceite con varilla de nivel; para ello, gírela a la izquierda.
- Antes de usar por primera vez, apriete el recipiente que contiene el lubricante para que todo su contenido ingrese en el depósito de lubricante.
Luego de usar por primera vez, agregue lubricante para motores de 4 tiempos (SAE 30 o SAE 10W30) hasta que el nivel de fluido aumente y alcance la parte superior del área de rayado de la varilla. **No lo llene en exceso.**
- Vuelva a colocar la tapa del aceite con varilla de nivel y apriétela firmemente.

Para verificar el nivel de lubricante para motor:

- Coloque la lavadora de presión sobre una superficie horizontal nivelada. No la incline.
- Desenrosque la tapa del aceite con varilla de nivel; para ello, gírela a la izquierda.
- Limpie la varilla de nivel y vuelva a asentarla en el agujero; no la enrosque.
- Retire de nuevo la varilla medidora de lubricante y verifique el nivel de lubricante. El nivel de aceite siempre debe estar dentro del área cubierta con rayas entrecruzadas de la varilla medidora.
- Si está bajo el nivel, abastezca de lubricante el motor hasta que el nivel del fluido alcance la parte superior del área cubierta con rayas entrecruzadas de la varilla.

FUNCIONAMIENTO

- Vuelva a colocar la tapa de relleno de aceite/varilla medidora de aceite y asegúrela.

AVISO:

No lo llene excesivamente. Llenar excesivamente el cárter puede producir humo en exceso y daños en el motor.

COMBUSTIBLES OXIGENADOS

AVISO:

No utilice combustibles E15 o E85 con este producto. Esto constituye una violación a la ley federal, dañará la unidad y anulará la garantía. Use únicamente gasolina sin plomo con un contenido de hasta 10 % de etanol.

No están cubiertos en la garantía los problemas de desempeño o daños al sistema de combustible producidos por el uso de un combustible oxigenado con un contenido superior a los porcentajes de alcohol o compuesto de éter señalados previamente.

ABASTECIMIENTO DEL TANQUE DE GASOLINA

Vea la figura 8.

PELIGRO:

Riesgo de incendios y lesiones por quemaduras: Nunca retire la tapa de combustible mientras esté encendida la unidad. Apague el motor y deje enfriar la unidad durante al menos cinco minutos. Retire la tapa lentamente.

ADVERTENCIA:

La gasolina y los vapores de la misma son extremadamente inflamables y explosivos. Para evitar lesiones y daños físicos serios, maneje con cuidado la gasolina. Manténgala lejos de fuentes de ignición, manéjela solamente al aire libre, no fume mientras vierta la gasolina y limpie de inmediato cualquier derramamiento que ocurra.

ADVERTENCIA:

Apague siempre el motor antes de reabastecer combustible. Nunca retire la tapa de combustible ni agregue combustible a una máquina mientras el motor esté en funcionamiento o caliente. Asegúrese de que la unidad esté apoyada en una superficie horizontal y nivelada, y solo agregue combustible al aire libre. Si el motor está caliente, deje que la unidad se enfríe durante al menos cinco minutos antes de reabastecer. Vuelva a colocar inmediatamente la tapa del tanque después de reabastecer y apriétela firmemente. Aléjese al menos 9 metros (30 pies) del sitio de carga de combustible antes de poner en marcha el motor. No fume y permanezca lejos de llamas abiertas y chispas! La inobservancia de estas instrucciones podrían provocar un incendio y lesiones personales graves.

ADVERTENCIA:

Revise la herramienta para ver si tiene fugas de combustible. Una tapa del tanque de combustible, tanque o conductos, con fugas constituye un riesgo de incendio y debe reemplazarse inmediatamente. Si encuentra fugas, corrija el problema antes de utilizar la herramienta. De lo contrario puede producirse un incendio, con el consiguiente riesgo de lesiones serias.

NOTA: Este es un motor de cuatro tiempos. No mezcle el lubricante y el combustible.

- Mezcle el estabilizador de combustible con la gasolina de acuerdo con las instrucciones del fabricante del estabilizador de combustible.
- Antes de retirar la tapa del combustible, limpie el área circundante de la unidad. Retire la tapa del combustible.
- Introduzca un embudo limpio en el tanque de combustible y después vierta lentamente la gasolina en el tanque. Llene el tanque hasta una altura aproximada de 38 mm (1-1/2 pulg.) abajo de la parte superior del cuello del tanque (para permitir la expansión del combustible).
- Vuelva a colocar la tapa del combustible y apriétela firmemente la tapa "déclic".
- Limpie todo combustible derramado antes de encender la máquina.

FUNCIONAMIENTO

ENCENDIDO Y APAGADO DE LA LAVADORA DE PRESIÓN

Vea las figuras 9 a 11.

AVISO:

No encienda la lavadora a presión si no hay un suministro de agua conectado y encendido, dado que esto podría dañar los sellos de alta presión y disminuir la vida útil de la bomba. Desenrolle la manguera por completo de su carrete o bobina y asegúrese de que la manguera no esté restringida por neumáticos, rocas, ni ningún otro objeto que pueda disminuir o bloquear el flujo de agua hacia la lavadora a presión.

Antes de arrancar el motor:

- Conecte todas las mangueras.

NOTA: Asegúrese de que el filtro para la entrada de agua de la lavadora a presión esté en su lugar y sin obstrucciones antes de conectarla.

- Revise todos los fluidos (lubricante y gasolina)
- Abra el grifo del agua y luego oprima gatillo para purgar la presión de aire; mantenga oprimido el gatillo hasta que aparezca un chorro de agua estable.

NOTA: Asegúrese de que el grifo esté abierto completamente y de que no haya acodaduras o pérdidas en la manguera.

Para arrancar el motor:

- Ponga la válvula de combustible en la posición ABRA.
- Ponga el interruptor de encendido/apagado en la posición "ON" (encendido).
- Tire del anegador en la posición ARRANQUE.

NOTA: Si se vuelve a arrancar el motor después de haberlo apagado por un corto período (esto es, luego del reabastecimiento de combustible o del traslado), deje la palanca del anegador en la posición MARCHA.

- Sujete el mango del arrancador y cuerda y tire lentamente hasta que encuentre resistencia. Dé al mango del arrancador y cuerda un tirón corto y enérgico para arrancar el motor.

NOTA: No permita que el mango del arrancador y cuerda vuelva a calzar en su lugar una vez encendido; colóquelo nuevamente en su lugar original con cuidado.

- Deje que el motor funcione durante 5 segundos y luego lleve el obturador a la posición FUNCIONAMIENTO.

AVISO:

Realice inspecciones visuales de la bomba y del motor en forma rutinaria durante su uso. Si nota que existen pérdidas en las juntas de la bomba o del motor, deje de usar la lavadora de presión inmediatamente y que llévelo a un centro de servicio calificado para su reparación. La inobservancia de esta advertencia puede causar daños a la propiedad.

Para apagar el motor:

- Ponga el interruptor de encendido/apagado en la posición "OFF" (apagado).
- Ponga la válvula de combustible en la posición CERRADO.

NOTA: La presión del sistema no se aliviará apagando el motor. **Presione el gatillo para liberar la presión del agua.**



ADVERTENCIA:

Tanto en funcionamiento como al guardarlo, mantenga siempre 914 mm (3 pies) de espacio libre en todos los laterales de este producto, incluida la parte superior. Espere al menos 30 minutos para el equipo se enfríe antes de guardarlo. Mantenga todas las partes del cuerpo, la ropa, los materiales combustibles y las mangueras alejadas del silenciador. El calor generado por el silenciador y los gases de escape puede ser suficiente para causar quemaduras graves, prender fuego a objetos combustibles, y/o dañar las mangueras de alta presión que puede causar lesiones por inyección.

USO DEL MANGO DEL GATILLO

Vea la figura 12.



ADVERTENCIA:

Sujete el mango firmemente con ambas manos. Se espera que el mango del gatillo se mueva cuando se tire del gatillo como consecuencia de las fuerzas de reacción. La inobservancia de esta advertencia podría causar pérdida de control y lesiones a usted y a otras personas.

- Para iniciar el chorro de agua, oprima y no suelte el gatillo.
- Para interrumpir el flujo del chorro de agua por la boquilla, suelte el gatillo.

Para accionar el seguro:

- Suba el seguro hasta dejarlo trabado en la ranura.

Para quitar el seguro:

- Baje el seguro a su posición original.

Comience con la boquilla a una distancia de entre 30 y 60 cm (1 y 2 pies) de la superficie a limpiar y acérquese a la superficie justo lo suficiente para alcanzar el nivel de limpieza deseado. Si está demasiado cerca el chorro, puede dañar la superficie que está limpiándose.

FUNCIONAMIENTO

SELECCIÓN DE LA BOQUILLA CORRECTA PARA CADA TRABAJO

Vea la figura 13.

Cada una de las boquillas tiene un patrón de rociado diferente. Antes de empezar cualquier trabajo de limpieza, determine cuál es la mejor boquilla para el trabajo. Vea la **Guía de selección de boquillas** para obtener más información sobre qué boquilla utilizar.

⚠ ADVERTENCIA:

NUNCA quite las boquillas sin antes apagar el motor, liberar la presión de agua con el gatillo y colocar la traba del gatillo. NO apunte la boquilla a sí mismo ni a otras personas. El elemento de conexión rápida contiene pequeños resortes que podrían eyectar la boquilla con fuerza. Si no sigue estas instrucciones puede provocar lesiones oculares o otras lesiones personales graves.

Para conectar una boquilla al tubo rociador:

- Apague la lavadora de presión y cierre el suministro de agua. **Oprima el gatillo para purgar el agua.**
- Accione el seguro del mango de gatillo; para ello, suba aquél hasta que se traben en la ranura.
- Tire del collar de conexión rápida.
- Introduzca la boquilla en su lugar en el tubo rociador.
- Empuje el collar adelante para que la boquilla quede correctamente asegurada. Asegúrese de que la boquilla esté asegurada.

Para desconectar la boquilla del tubo rociador una vez comenzado el trabajo de limpieza:

- Apague la lavadora de presión y cierre el suministro de agua. **Oprima el gatillo para purgar el agua.**
- Accione el seguro del mango de gatillo; para ello, suba aquél hasta que se traben en la ranura.
- Tire y sostenga el collar de conexión rápida.
- Quite la boquilla tirando hacia atrás del collar de conexión rápida. Coloque la boquilla en el lugar donde se guardan éstas, en la parte superior de la máquina.

GUÍA DE SELECCIÓN DE BOQUILLAS

0° 25° 40° JABÓN		ALTA PRESIÓN (NO USE ESTAS BOQUILLAS CON JABÓN)			BAJA PRESIÓN (PARA JABÓN O ENJUAGUES LEVES)
		0° Rojo	25° Verde	40° Blanco	Boquilla azul para jabón
Cemento, ladrillo, mampostería		✓	✓	✓	✓
Revestimiento de muros exteriores, canalones, casas			✓	✓	✓
Cercas, terrazas, patios			✓	✓	✓
Equipos de jardinería, botes, casas rodantes			✓	✓	✓
		✓ Boquilla recomendada ✓ Usar con cuidado en ciertas aplicaciones			

FUNCIONAMIENTO

USO DE LA MANGUERA DE ALTA PRESIÓN

ADVERTENCIA:

Daño por inyecciones. Desenrolle por completo la manguera de alta presión y enderécela antes de usarla y durante el uso y no permita que se retuerza. La manguera de alta presión tiene una cubierta exterior que hace resistente a la manguera. Si la cubierta exterior está dañada, deje de usar la manguera y rempícela inmediatamente. Una manguera retorcido o dañada puede tener una fuga de alta presión que puede provocar una inyección u otras lesiones personales graves.

Para evitar que el revestimiento externo se dañe:

- Inspeccione la manguera antes de cada uso.
- Desenrosque y estire la manguera antes de usarla.
- Evite que la manguera de alta presión se retuerza.
- Mantenga la manguera alejada de superficies calientes y bordes filosos.
- No arrastre la unidad cerca de la manguera de alta presión.
- Evite que otros objetos aplasten la manguera o que ésta se enrede con otros objetos.

LAVADO CON DETERGENTE

Vea las figuras 14 a 16.

Tal como se vende, esta unidad está diseñada para usarse con detergentes para lavadoras a presión de “flujo descendente”. Para convertir la lavadora de modo que se pueda utilizar con detergentes de “flujo ascendente”, comuníquese con el servicio al cliente o con un centro de servicio calificado para obtener más información.

AVISO:

USE SÓLO DETERGENTES DISEÑADOS PARA LAVADORAS DE PRESIÓN. No utilice los detergentes caseros, soluciones ácidas, alcalinas, blanqueadores, solventes, materiales inflamables o de grado industrial pueden dañar la bomba. Numerosos detergentes requieren mezclarse antes de usarse o provocar daños a la propiedad. Prepare la solución de limpieza de conformidad con las instrucciones de la botella correspondiente. Siempre pruebe en un área poco notoria antes de comenzar la limpieza.

- Monte firmemente el extremo abierto de la manguera de inyección de jabón en el conector anillado, como se muestra.

NOTA: Mantenga flexible d'injection lejos de superficies calientes.

- Retire la tapa del recipiente para detergente y coloque la manguera de inyección de jabón con filtro en el recipiente.

NOTA: La configuración de la máquina de esta unidad es 20:1, lo que generalmente permite el uso de 3,79 l (1 galón) de detergente para lavadoras de presión sin más dilución. Consulte las instrucciones de su detergente para asegurarse de que no sea necesario realizar una dilución adicional.

- Instale la boquilla detergente (azul) n el tubo rociador.
- Oprima el gatillo y espere aproximadamente 5 segundos a que comience a salir detergente.
- Rocíe el detergente en una superficie seca, con pasadas largas uniformes traslapadas. Para evitar la formación de franjas, no permita que seque el detergente en la superficie.

Antes de apagar el motor:

- Coloque la manguera de inyección de jabón en un balde de agua limpia.
- Rocíe el agua limpia a través del tubo rociador hasta vaciar el balde.
- Si queda detergente en el rociador, repita el proceso con un segundo balde de agua limpia.
- Apague el motor.

NOTA: Apagando el motor no se purga del sistema la presión interna. **Oprima el gatillo para purgar el agua a presión.**

ENJUAGADO CON LA LAVADORA DE PRESIÓN

- Apague la lavadora de presión y cierre el suministro de agua. **Oprima el gatillo para purgar el agua.**
- Accione el seguro el mango de gatillo; para ello, suba aquél hasta que se traben en la ranura.
- Para quitar la boquilla de jabón, coloque la mano sobre ella y a continuación tire del collar de conexión rápida. Coloque la boquilla de jabón en el lugar donde se guardan éstas, en la parte superior de la máquina.
- Seleccione el ajuste de boquilla adecuado para el trabajo. Vea el cuadro más arriba en este manual para seleccionar la boquilla adecuado.

NOTA: Si la manguera de inyección del detergente está instalada, retírela antes de enjuagar.

- Comience por la parte superior por enjuagar y avance hacia abajo, traslapando cada pasada

USO DEL PROTECTOR DE BOMBA

Vea la figura 17.

El uso regular del protector para bombas comercialmente disponible prolonga la vida de la lavadora de presión, dado que elimina los sedimentos minerales del agua dura, lubrica las juntas y los pistones de la bomba y evita los daños por congelación. El protector de bomba debe agregarse a la unidad después de cada uso y antes de almacenarla. Este protector puede comprarse en el minorista donde compró la lavadora de presión o comunicándose con el servicio de atención al cliente. Este protector de bomba puede comprarse

FUNCIONAMIENTO

en el minorista donde compró la lavadora de presión o comunicándose con el servicio de atención al cliente.

Las instrucciones siguientes son para un protector de bombas típico pero siempre siga las instrucciones del fabricante del protector de bombas que utiliza.

- Apague el motor de la lavadora de presión y cierre el suministro de agua. **Tire del gatillo para purgar el agua.**
- Desconecte la manguera de jardín y la de alta presión.
- Desenrosque la parte superior de la botella del protector de bomba y retire el sello de papel de la botella. Vuelva a colocar la tapa en la botella y apriétela con fuerza.
NOTA: El sello de goma debe quedar dentro de la parte superior roscada. Si se sale, asegúrese de volverlo a colocar antes de colocarle la tapa.
- Retire la tapa de la botella y calce el extremo roscado de la botella bien en la entrada de agua de la bomba de la lavadora de presión.
- Apriete la botella para inyectar el contenido en la bomba.

- Con el motor todavía apagado, tire de la mango del arrancador y cuerda y apriete la botella una vez más para garantizar la cobertura total.
- La bomba está protegida cuando el líquido protector sale por el orificio de descarga de la bomba.

TRASLADO DE LA LAVADORA DE PRESIÓN

Veá la figura 18.

NOTA: Nunca levante este producto por el mango, ni lo cargue desde este, y nunca coloque la unidad en otra posición que no sea apoyada sobre sus ruedas.

- Apague la lavadora de presión.
- Incline la máquina hacia usted hasta equilibrarla sobre las ruedas y después empújela a la posición deseada. No incline la máquina hacia delante o hacia los lados mientras la mueve.
- NO trate de mover la unidad tirando de ninguna de las mangueras.

MANTENIMIENTO

Cualquier establecimiento o técnico de reparaciones calificado puede realizar el mantenimiento normal, el reemplazo o la reparación de los dispositivos y sistemas de control de emisiones, con repuestos originales o equivalentes. Un centro de servicio autorizado deberá realizar las reparaciones y el retiro del producto que cubra la garantía; póngase en contacto con el servicio al cliente para obtener ayuda.

ADVERTENCIA:

Antes de inspeccionar, limpiar o dar servicio a la máquina, apague el motor, espere a que se detengan todas las piezas en movimiento, desconecte el cable de la bujía y aléjelo de ésta. El incumplimiento de cualquiera de estas instrucciones puede causar lesiones serias.

ADVERTENCIA:

Siempre póngase protección ocular con protección lateral con la marca de cumplimiento de la norma ANSI Z87.1. Si no cumple esta advertencia, los objetos que salen despedidos pueden producirle lesiones serias en los ojos.

ADVERTENCIA:

Al dar servicio a la unidad, sólo utilice piezas de repuesto recomendados o equivalentes. El empleo de piezas diferentes podría causar un peligro o dañar el producto.

AVISO:

Este producto no cuenta con un parachispas y no se puede usar en terrenos forestales de EE. UU., además, los usuarios del producto deben cumplir con los reglamentos de prevención de incendios locales, estatales y federales. Consulte a las autoridades que correspondan. Consulte el manual del motor adjunto sobre el mantenimiento y las piezas de repuesto.

AVISO:

Inspeccione periódicamente todo el producto para detectar partes dañadas, faltantes o sueltas, como tornillos, tuercas, pernos, tapas, etc. Apriete firmemente todos los sujetadores y las tapas y no accione este producto hasta que todas las partes faltantes o dañadas sean reemplazadas. Póngase en contacto con el servicio al cliente o con un centro de servicio calificado para obtener ayuda.

MANTENIMIENTO GENERAL

Evite el empleo de solventes al limpiar piezas de plástico. La mayoría de los plásticos son susceptibles a diferentes tipos de solventes comerciales y pueden resultar dañados. Utilice paños limpios para eliminar la suciedad, el polvo, el aceite, la grasa, etc.

MANTENIMIENTO

ADVERTENCIA:

No permita en ningún momento que fluidos para frenos, gasolina, productos a base de petróleo, aceites penetrantes, etc., lleguen a tocar las piezas de plástico. Las sustancias químicas pueden dañar, debilitar o destruir el plástico, lo cual a su vez podría producir lesiones corporales serias.

Antes de encender el motor realice los siguientes pasos previos:

- Verifique que todos los pernos, tuercas, etc., estén firmemente apretados.
- Asegúrese de que esté limpio el filtro.
- Revise tanto el nivel de lubricante del motor como el nivel del tanque de combustible; reabastézcalos según sea necesario.
- Inspeccione el área de trabajo para ver si hay peligros presentes.
- Si hay ruido o vibración excesivos, apague de inmediato la unidad.

MANTENIMIENTO DE LAS BOQUILLAS

La presión excesiva de la bomba (se siente una sensación de pulsación al estar oprimiendo el gatillo) puede deberse a que la boquilla está tapada o sucia.

- Apague la lavadora de presión y cierre el suministro de agua. **Oprima el gatillo para purgar el agua.**
- Retire la boquilla del tubo rociador.

ADVERTENCIA:

NUNCA quite las boquillas sin antes apagar el motor, liberar la presión de agua con el gatillo y colocar la traba del gatillo. NUNCA apunte con la boquilla a su rostro o al de otras personas. El elemento de conexión rápida contiene pequeños resortes que podrían eyectar la boquilla con fuerza. La inobservancia de estas instrucciones podría provocar lesiones en los ojos y otras lesiones personales graves.

- Para liberar la boquilla de las obstrucciones de cualquier material extraño, retire los residuos con una aguja fina o clip de papel.
- Con una manguera de jardín expulse de la boquilla toda la basura presente con un contraflujo (haciendo pasar hacia atrás agua por la boquilla, o sea del exterior hacia el interior).
- Vuelva a conectar la boquilla al tubo rociador.
- Abra el suministro de agua y arranque el motor.

MANTENIMIENTO DE LA BOMBA

Realice una inspección visual diaria de la bomba. Si advierte una pérdida de lubricante alrededor de los sellos de la bomba, lleve la lavadora de presión a un centro de servicio calificado para que la repare.

La bomba de la lavadora de presión no contiene piezas que pueda reparar el usuario. Cualquier intento de realizar el mantenimiento de la bomba o de alterarla podrá dañar la lavadora de presión y anular la garantía del producto.

GUARDADO DE LA LAVADORA DE PRESIÓN

Veja la figura 19.

NOTA: El uso regular de estabilizador de combustible y de protector para bombas dará un mejor desempeño a la unidad y alargará la vida útil de la bomba.

ADVERTENCIA:

Al guardado, mantenga siempre 914 mm (3 pies) de espacio libre en todos los laterales de este producto, incluida la parte superior. Espere al menos 30 minutos para el equipo se enfríe antes de guardarlo. El calor generado por el silenciador y los gases de escape puede ser suficiente para prender fuego a objetos combustibles.

Guarde la unidad en un lugar seco y cubierto, en el cual no pueda resultar dañada a la intemperie.

Es importante guardar este producto en un área protegida contra la congelación. Siempre vacíe todas las mangueras y la bomba antes de guardar la unidad.

- Mantenga encendida la máquina hasta agotar el combustible. La gasolina puede echarse a perder en 30 días.

NOTA: Asegúrese de que el suministro de agua esté conectado y encendido cuando ponga en marcha el motor de la lavadora a presión.

- Asegúrese de que el interruptor de encendido/apagado en la posición “**OFF**” (apagado) y de que la válvula de combustible esté CERRADA.
- Desconecte tanto la alta presión y de baja presión conexiones de agua.
- Vacíe la bomba; para ello, tire del arrancador retráctil seis veces aproximadamente. De esta manera se elimina de la bomba la mayoría del líquido.

AVISO:

Se requiere usar un protector de bomba después de cada uso y antes de almacenar la unidad para evitar daños por bajas temperaturas y en la junta durante el almacenamiento. Si no utiliza el protector de bomba se anulará la garantía.

MANTENIMIENTO

- Drene el lubricante y cámbielo por lubricante nuevo y limpio como se explica en de la forma descrita en la manual del motor.
- Desconecte el cable de la bujía y retire ésta. Vierta cerca de una cucharada chica de lubricante limpio para motor de cuatro tiempos a través del agujero de la bujía, en el interior de la cámara de combustión.
- Teniendo la bujía afuera, tire de la mango del arrancador y cuerda dos o tres veces para recubrir el interior de la pared del cilindro.
- Inspeccione la bujía y límpiela o reemplácela según sea necesario.
- Vuelva a instalar la bujía, pero deje desconectado el cable de la misma.
- Limpie el filtro de aire.
- Extienda la cuerda del mango del arrancador para controlar su condición. Si la cuerda está deshilachada, hágala cambiar de inmediato en un centro de servicio calificado.

- Retire las mangueras. Enrolle las mangueras y guarde como se muestra. No permita que la manguera se retuerza.
- Guarde la unidad y los accesorios en un área que esté protegida contra las temperaturas bajo cero. No la guarde cerca de hornos u otras fuentes de calor que pueda secar los sellos de la bomba.

PREPARACIÓN DE LA UNIDAD PARA USARLA DESPUÉS DE TENERLA GUARDADA

- Tire del mango del arrancador y cuerda tres o cuatro veces para limpiar el lubricante de la cámara de combustión.
- Retire la bujía del cilindro. Limpie el lubricante de la bujía y vuelva a ponerla en el cilindro.
- Vuelva a conectar el cable de la bujía.
- Reabastezca de combustible la máquina de la forma descrita anteriormente en el manual del operador.

PROGRAMA DE MANTENIMIENTO

NOTA: Si recibe un manual del motor para este lavadora a presión en particular, respete el cronograma de mantenimiento que se indique en el manual del motor y no la información de mantenimiento que figura a continuación.

Artículos de mantenimiento	Cada uso	Semanas	25 horas	50 horas	200 horas
Revise si hay fugas de agua bajo colector, en el cárter	•				
Plomería		•			
Limpiar motor y revisar tuercas y pernos	•				
Revisar y vuelva a llenar el aceite del motor	•				
Cambiar el lubricante del motor (cambio inicial) ¹	•				
Controle la colocación del filtro de entrada de agua ²	•				
Agregue estabilizador de combustible	•				
Agregue protector para bombas	•				
Cambiar el lubricante del motor				•	
Revise la bujía				•	
Limpiar el filtro de aire			•		
Reemplazar el filtro de aire					•
Limpiar y ajustar la bujía y electrodos				•	
Reemplazar la bujía					•

¹ Se debe realizar el cambio inicial de lubricante después de las primeras 20 horas de funcionamiento. A partir de ese momento, cambie el lubricante cada 100 horas.

² Si el filtro de entrada de agua falta o está dañado, debe colocarse uno nuevo. Vea la lista de piezas de repuesto disponible en línea o llame a servicio de atención al cliente para conocer el número de pieza para realizar un pedido.

NOTA: No está seguro sobre cómo realizar alguna de las tareas de mantenimiento enumeradas anteriormente, lleve la unidad a un centro de servicio calificado para que se realice la tarea de mantenimiento en cuestión.

SOLUCIÓN DE PROBLEMAS

PROBLEMA	CAUSA POSIBLE	SOLUCIÓN
El motor no arranca	No hay combustible en el tanque Falló o tiene corta la bujía Se rompió la bujía (se rajó la porcelana o se rompieron los electrodos) El cable de ignición tiene corto, está roto o desconectado de la bujía caso El sistema de ignición no funciona Anegador en posición incorrecta El motor está ahogado	Reabastezca el tanque Reemplace la bujía Reemplace la bujía Reemplace el cable de ignición o conéctelo a la bujía Comuníquese con un centro de servicio calificado Mueva el anegador a la posición ARRANQUE para arrancar un motor frío. Si el motor está tibio, el anegador debe estar en la posición MARCHA Mueva el anegador a la posición MARCHA y tire del mango y cuerda del arrancador varias veces hasta que el motor arranque.
Cuesta trabajo arrancar el motor	Hay agua en la gasolina Está débil la chispa de la bujía	Drene todo el sistema y reabastézcalo con combustible nuevo Comuníquese con un centro de servicio calificado
Le falta potencia al motor	Está sucio el filtro de aire	Limpie o reemplace el filtro de aire
El detergente no está mezclándose en el rocío	La manguera de inyección del jabón no está sumergida correctamente La boquilla de alta presión es la que está conectada	Introduzca la manguera de inyección del jabón en el recipiente del detergente Para aplicar el detergente use la boquilla de baja presión (la azul)
La bomba no genera presión	La boquilla de baja presión es la que está instalada El suministro de agua es inadecuado Tubo de rociador tiene pérdidas Está tapada la boquilla Aire en el conductor La manguera tiene pérdidas La manguera está acodada Está defectuosa la bomba	Reemplácela por la boquilla de alta presión Suministre un flujo de agua adecuado Verifique las conexiones y/o tiene fugas reemplace el mango del gatillo tubo de rociador Limpie la boquilla Oprima el gatillo el mango del gatillo para eliminar el aire del conductor Cambie la manguera Quite la acodadura de la manguera Comuníquese con un centro de servicio calificado
La máquina no alcanza presión alta	Está demasiado pequeño el diámetro de la manguera de jardín Está restringido el suministro de agua No hay suficiente agua en la entrada Está puesta una boquilla equivocada	Reemplácela con una manguera de 19 mm (3/4 pulg) Revise la manguera de jardín para ver si tiene dobleces, fugas o bloqueos Abra el suministro de agua a toda su capacidad Instale la boquilla de alta presión

Si el problema persiste después de probar las soluciones mencionadas arriba, contacto con el servicio al cliente o con un centro de servicio calificado para solicitar asistencia.

AVISO:

Como propietario equipo, usted es responsable de la que realice el mantenimiento obligatorio que se indica en la sección *Mantenimiento*. Le recomendamos que guarde todos los comprobantes relacionados con el mantenimiento de su equipo. Negligencia o falta del mantenimiento indicado puede aumentar las emisiones, reducir la eficiencia del combustible, perjudicar el funcionamiento, provocar daños irreversibles al motor y anulará su garantía.

GARANTÍA

DECLARACIÓN DE GARANTÍA LIMITADA NO APLICABLE AL MOTOR

OWT Industries, Inc., (la Compañía) garantiza al comprador minorista original que este Producto PowerStroke carece de defectos en material y mano de obra, y acuerda reparar o reemplazar, a la discreción de la Compañía, cualquier Producto defectuoso sin cargo en los siguientes períodos a partir de la fecha de la compra:

- Dos años si el Producto se utiliza exclusivamente para fines personales, familiares o domésticos.
- 90 días si el Producto se utiliza para fines comerciales.

Esta garantía sólo es válida para los Productos vendidos dentro del territorio de los Estados Unidos de América, el distrito de Columbia, Canadá, México, el Estado Libre Asociado de Puerto Rico, las Islas Vírgenes, o Guam.

Esta garantía no es transferible y sólo cubre los daños derivados de defectos en material o mano de obra y no los daños causados por el uso irracional, incluida la falta de mantenimiento razonable y necesario.

Entre los artículos que no cuentan con la cobertura de esta garantía, se encuentran:

- Los gastos de transporte originados por el envío del producto a la Compañía o a su representante de servicio autorizado para el mantenimiento incluido en la garantía, o por el envío al consumidor de productos reparados o reemplazados; estos cargos corren por cuenta del comprador minorista original.
- Los daños causados por el maltrato, los accidentes, el uso indebido, la negligencia, la alteración, la modificación, los efectos de la corrosión, la erosión, el desgaste normal o las reparaciones realizadas por personas ajenas a la Compañía o a sus representantes de servicio autorizados.
- Además, esta garantía no cubre:
 - Afinación – Bujías, carburador, ajustes del carburador, encendido, filtros, cambio de aceite
 - Desgaste de piezas – Cuerda del arrancador retráctil, escobillas del motor, pasadores de chaveta, ruedas

La garantía queda anulada si el cliente no instala, mantiene o utiliza el producto respetando las instrucciones y las recomendaciones de la Compañía, según se expresa en el manual del operador del Producto, o si el Producto se utiliza como equipo de alquiler.

La Compañía no se hará cargo de las reparaciones o los ajustes al Producto, o de cualquier tarea o gasto que no sea autorizado previamente por esta Compañía.

IMPORTANTE: A los componentes que esta garantía no cubra, los podrá cubrir una garantía adicional emitida por el que fabricante del motor. consulte la garantía del fabricante del motor (si la hubiera) que se entregó con el producto para conocer más detalles.

GUARDE SU COMPROBANTE DE COMPRA

Antes de que la Compañía o sus representantes de servicio autorizados puedan efectuar el servicio correspondiente cubierto por la garantía del Producto, se solicitará como comprobante de compra una factura de compra con fecha.

EXCLUSIONES Y LIMITACIONES

ESTA GARANTÍA LIMITADA PREVALECE SOBRE CUALQUIER OTRA GARANTÍA EXPRESA. CUALQUIER GARANTÍA IMPLÍCITA DE COMERCIABILIDAD, IDONEIDAD PARA UN FIN ESPECÍFICO U OTRA QUE BRINDE COBERTURA PARA ESTE PRODUCTO ESTARÁ LIMITADA EN DURACIÓN AL PLAZO DE ESTA GARANTÍA LIMITADA. EL SERVICIO DE GARANTÍA DESCRITO ANTERIORMENTE ES EL ÚNICO RECURSO BAJO ESTA GARANTÍA. LA COMPAÑÍA NO SERÁ RESPONSABLE DE CUALQUIER DAÑO ESPECIAL, INDIRECTO O CONSECUENTE.

ALGUNOS ESTADOS NO PERMITEN LIMITACIONES EN CUANTO A LA DURACIÓN DE UNA GARANTÍA IMPLÍCITA, O LA EXCLUSIÓN O LIMITACIÓN DE LOS DAÑOS INDIRECTOS O CONSECUENTES; POR LO QUE ES POSIBLE QUE LAS LIMITACIONES O EXCLUSIONES ANTERIORES NO SE APLIQUEN EN SU CASO.

CÓMO OBTENER UN SERVICIO DE GARANTÍA

Para obtener el servicio de garantía: Llame sin cargo al 1-877-617-3501 o escriba a OWT Industries, Inc., P.O. Box 35, Hwy. 8, Pickens, SC 29671.

Para obtener el servicio de garantía fuera de los EE. UU., comuníquese con el establecimiento PowerStroke local.



3000 PSI PRESSURE WASHER LAVADORA A PRESIÓN DE 3 000 PSI

PS80325

OPERATOR'S MANUAL MANUAL DEL OPERADOR

CALIFORNIA PROPOSITION 65

⚠ WARNING:

This product, its exhaust, and other substances that may become airborne from its use may contain chemicals, including lead, known to the State of California to cause cancer, birth defects, or other reproductive harm. *Wash hands after handling.*

CALIFORNIA - PROPUESTA DE LEY NÚM. 65

⚠ ADVERTENCIA:

Este producto, su escape y otras sustancias que puedan llegar a ser aerotransportadas por su uso pueden contener sustancias químicas (por ejemplo, plomo) consideradas por el estado de California como causantes de cáncer, defectos de nacimiento u otras alteraciones reproductivas. *Lávese las manos después de utilizar el aparato.*

SERVICE

For parts or service, contact your service dealer. Be sure to provide all relevant information when you call or visit. Please call 1-877-617-3501 for assistance.

REPAIR PARTS

The item, manufacturing, and serial numbers of this product are found on a plate or label attached to the housing. Please record these numbers in the spaces provided below.

ITEM NO. _____

MANUFACTURING NO. _____

SERIAL NO. _____

.....

SERVICIO

Para obtener piezas o servicio, comuníquese con el centro de servicio. Asegúrese de proporcionar todos los datos pertinentes al llamar o al presentarse personalmente. Para asistencia, le suplicamos llamar al 1-877-617-3501.

PIEZAS DE REPUESTO

El número de artículo, el número de fabricación y el número de serie de este producto se encuentra en una placa o etiqueta pegada a la caja del motor. Le recomendamos anotar los números en los espacios suministrado abajo.

NÚMERO DE ARTÍCULO _____

NÚMERO DE FABRICACIÓN _____

NÚMERO DE SERIE _____

OWT INDUSTRIES, INC.

P.O. Box 35, Highway 8
Pickens, SC 29671 USA
1-877-617-3501

www.powerstroketools.com